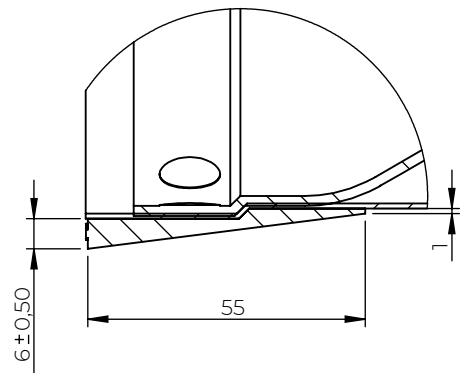
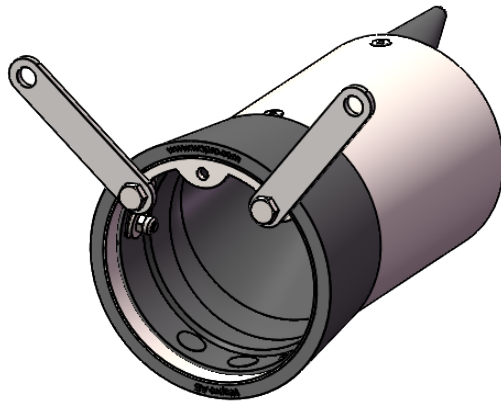
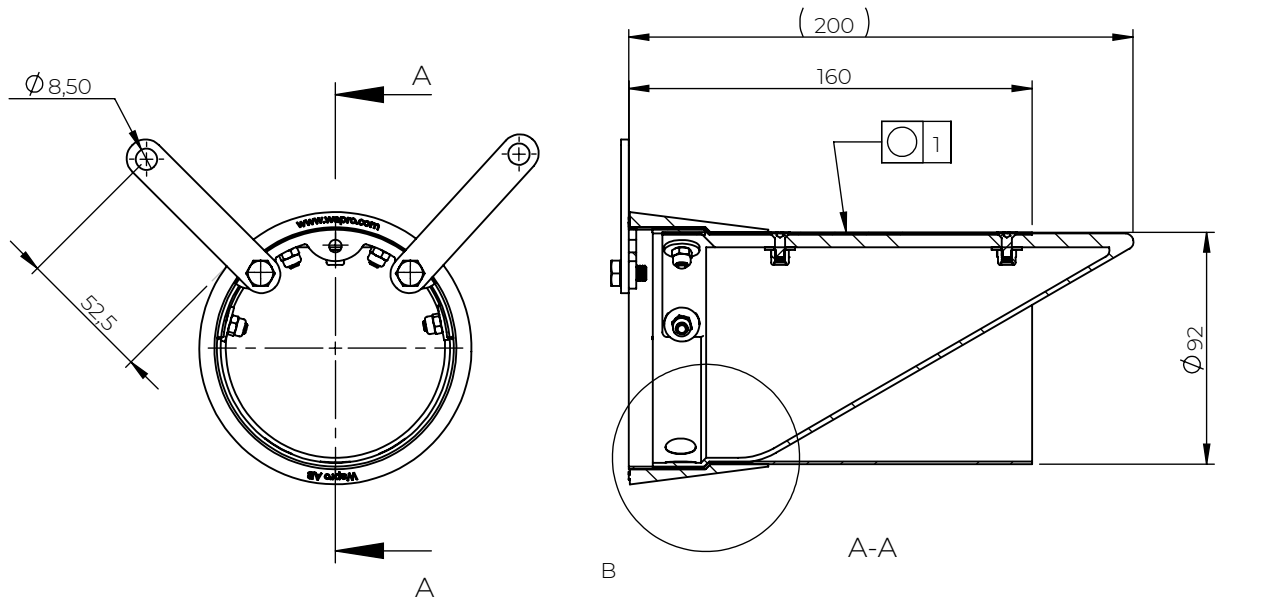


Rev	Note	CreatedBy	Appr.By	Appr.Date
A	Initial release		AE	2019-05-28



DETAIL B
SCALE 2 : 3

© 2018 Wapro AB. This document is subject to copyrights owned by Wapro AB. Any amendments, republication, retransmission, and/or reproduction of all or any part of the document is expressly prohibited, unless the copyright owner of the material has expressly granted its prior written consent. All other rights are reserved.

Designed By PM	Approved By MP	Created Date 2015-06-26	Units [mm]	General Tolerance ISO 13920A	Scale 1:3	
Material EN 1.4301 / EN 1.4404		Weight [kg] 0.60	Box Volume [m³] 0,002	Comments Project		
 www.wapro.com			Description WaStop DN100			
			Short Article Number WS97-S-SH			
Drawing Number ws97-s-sh-en		Rev A	Sheet 1 (1)			