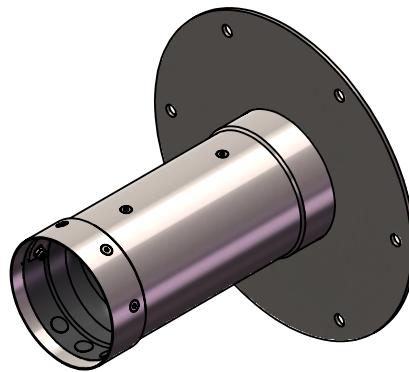
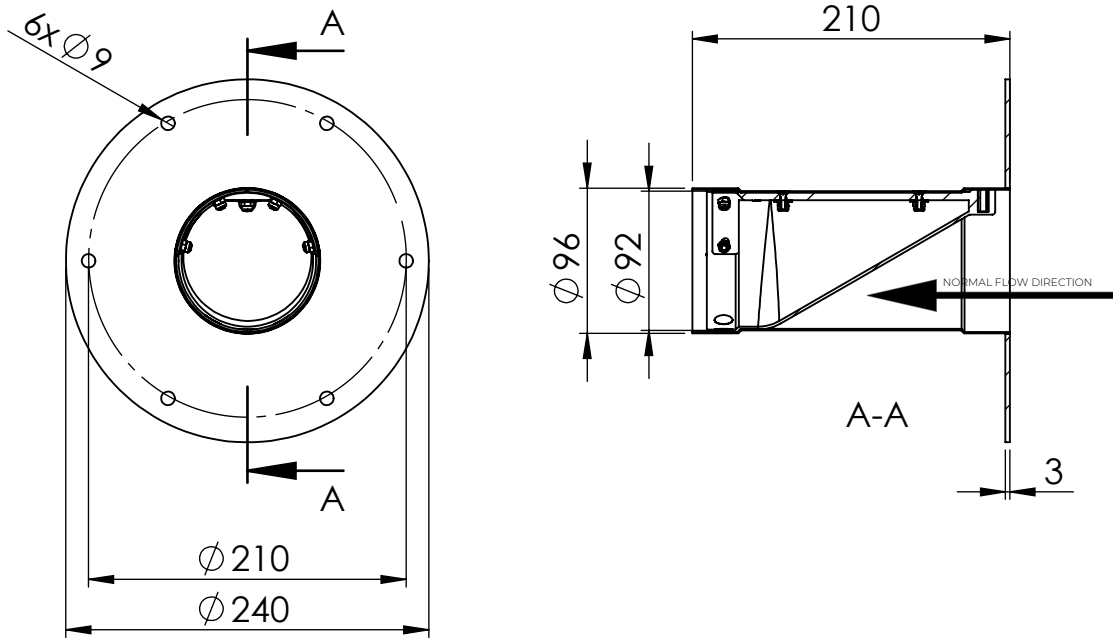


Rev	Note	CreatedBy	Appr.By	Appr.Date
A	Initial release	FG	AE	2020-03-16



© 2018 Wapro AB. This document is subject to copyrights owned by Wapro AB. Any amendments, republication, retransmission, and/or reproduction of all or any part of the document is expressly prohibited, unless the copyright owner of the material has expressly granted its prior written consent. All other rights are reserved.

Designed By PW	Approved By FG	Created Date 2021-01-11	Units [mm]	General Tolerance ISO 13920A	Scale 1:5	
Material EN 1.4404		Box Volume [m³] 0,002	Project WaStop DN100		Comments	
Weight [kg] 1.50		Description Flange inlet				
 www.wapro.com		Article Number WS97-S-FL2	Drawing Number ws97-s-fl2-en	Rev A	Sheet 1 (1)	