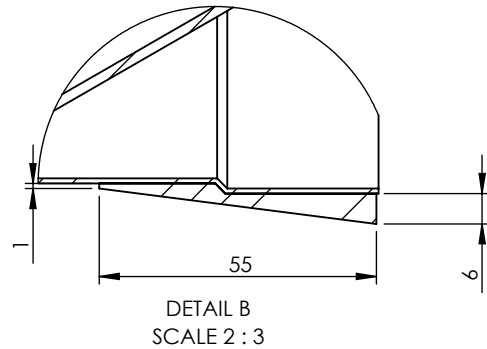
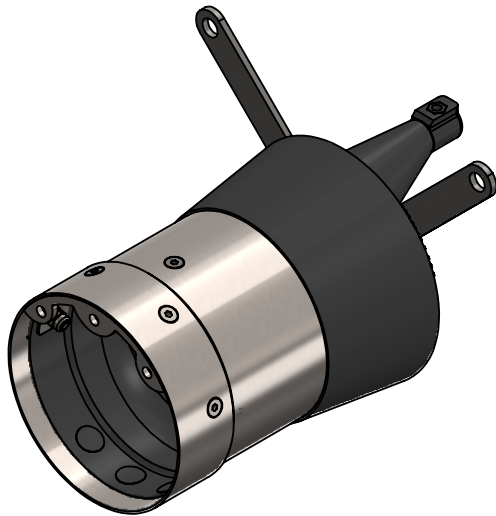
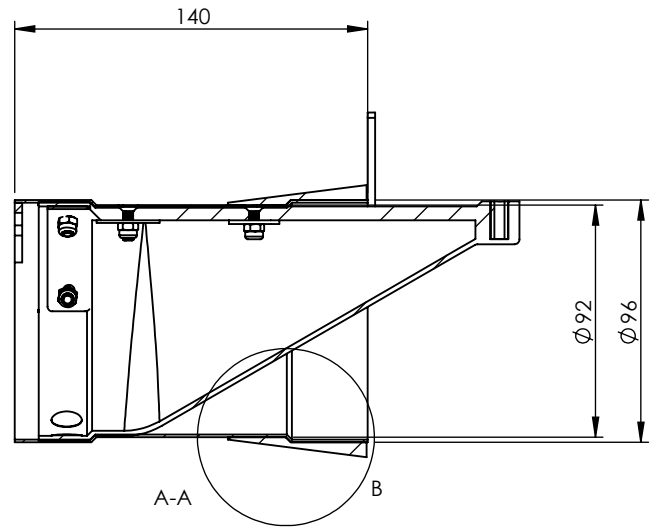
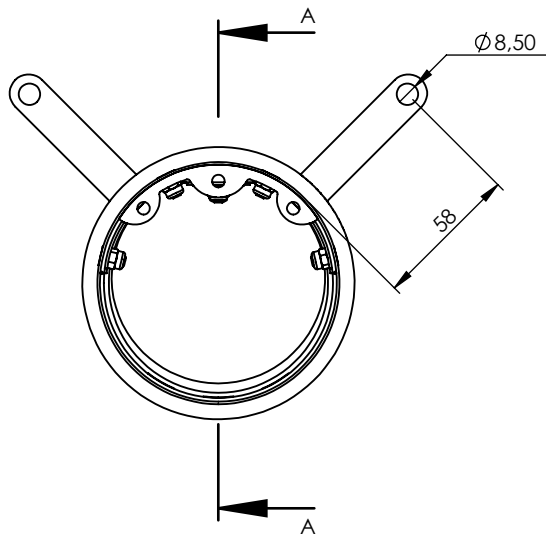


| Rev | Note | CreatedBy | Appr.By | Appr.Date |
|-----|-----------------|-----------|---------|------------|
| A | Initial release | AE | FG | 2020-01-17 |



© 2018 Wapro AB. This document is subject to copyrights owned by Wapro AB. Any amendments, republication, retransmission, and/or reproduction of all or any part of the document is expressly prohibited, unless the copyright owner of the material has expressly granted its prior written consent. All other rights are reserved.

| | | | | | | |
|--|--------------------|----------------------------|------------------------------------|----------------------------------|--------------|----------------|
| Designed By AE | Approved By | Created Date 2020-01-17 | Units [mm] | General Tolerance ISO 13920A | Scale 1:3 | |
| Material EN1.4404 | Weight [kg] 0.6 | Box Volume [m³] | Project WaStop DN100 SHDC | | Comments | |
| www.wapro.com | | | Description Short double collar | | | |
| | | | Article Number ws97-s-shdc | Drawing Number ws97-s-shdc-en | Rev A | Sheet 1 (1) |