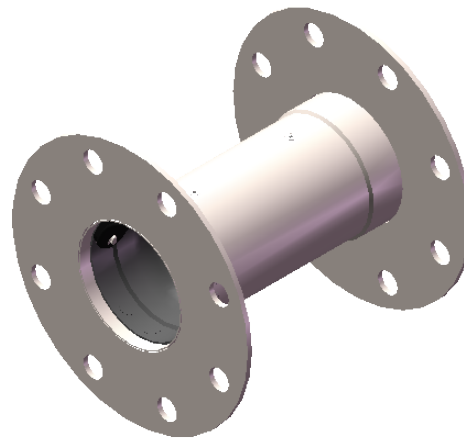
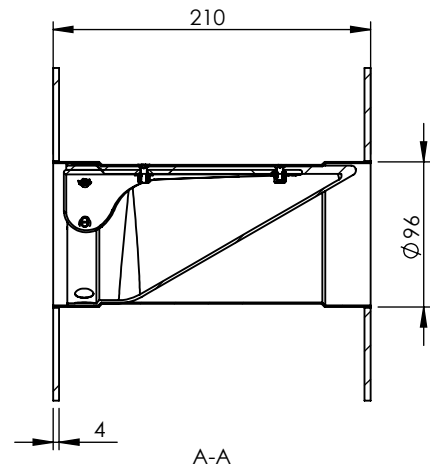
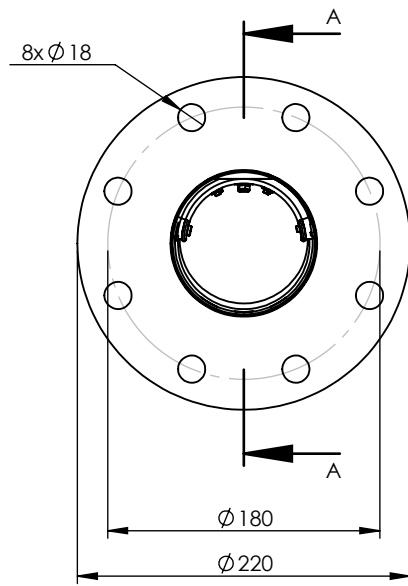


Rev	Note	CreatedBy	Appr.By	Appr.Date
B	Flanges changed to PN10	PW	PM	2019-02-27



© 2018 Wapro AB. This document is subject to copyrights owned by Wapro AB. Any amendments, republication, retransmission, and/or reproduction of all or any part of the document is expressly prohibited, unless the copyright owner of the material has expressly granted its prior written consent. All other rights are reserved.

Designed By PW	Approved By PM	Created Date 2019-02-26	Units [mm]	General Tolerance SS-ISO 2768-1 m	Scale 1:5	
Material EN 1.4301 / EN 1.4404			Comments		Project	
Weight [kg] 1.49		Box Volume [m³] 0,05	Description WaStop DN100 with 2 flanges for pump applications			
 www.wapro.com			Article Number WS97-P	Drawing Number 033423	Rev B	Sheet 1 (1)