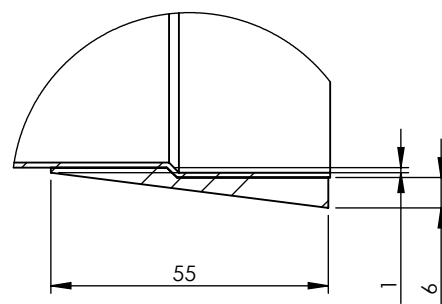
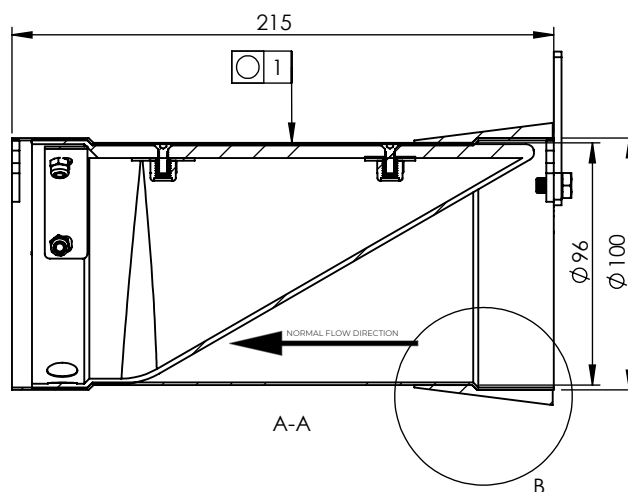
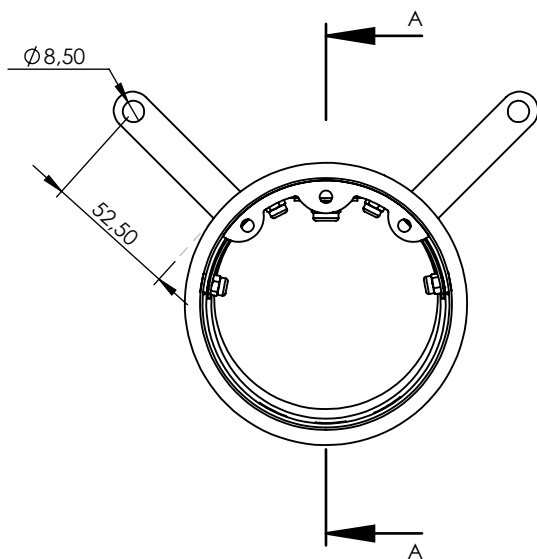


Rev	Note	CreatedBy	Appr.By	Appr.Date
A	Initial release	AE	AE	2020-07-06



DETAIL B
SCALE 2 : 3

© 2018 Wapro AB. This document is subject to copyrights owned by Wapro AB. Any amendments, republication, retransmission, and/or reproduction of all or any part of the document is expressly prohibited, unless the copyright owner of the material has expressly granted its prior written consent. All other rights are reserved.

Designed By AE	Approved By AE	Created Date 2020-07-06	Units [mm]	General Tolerance ISO 13920A	Scale 1:3	
Material EN 1.4404/ AISI 316L		Box Volume [m³] 0,0022	Project Description WaStop DN110 Reversed installation		Comments	
 www.wapro.com			Article Number ws101-s	Drawing Number ws101-s.reverse-en	Rev A	Sheet 1 (1)