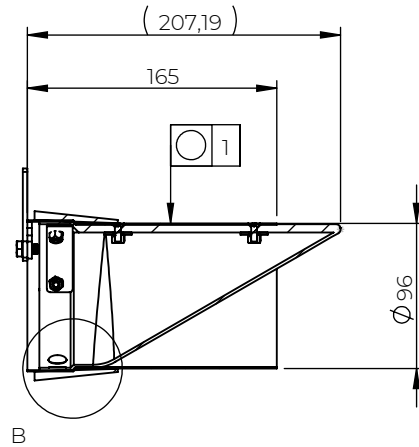
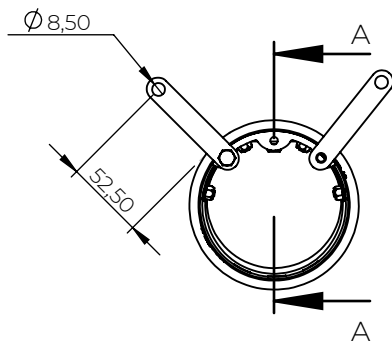
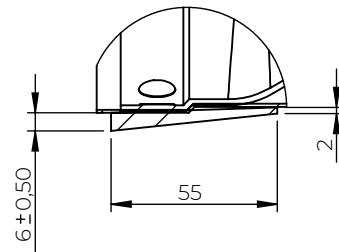
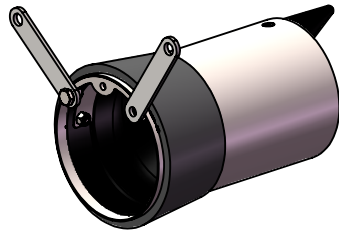


Rev	Note	CreatedBy	Appr.By	Appr.Date
A	Initial release		AE	2019-05-28



A-A



DETAIL B
SCALE 2 : 5

Designed By PM	Approved By PM	Created Date 2015-06-29	Units [mm]	General Tolerance ISO 13920A	Scale 1:5	
Material EN 1.4301 / EN 1.4404			Comments		Project	
Weight [kg] 0.65	Box Volume [m³] 0,002		Description WaStop DN110			
 www.wapro.com			Short WaStop DN110			
			Article Number WS101-S-SH	Drawing Number ws101-s-sh-en	Rev A	Sheet 1 (1)