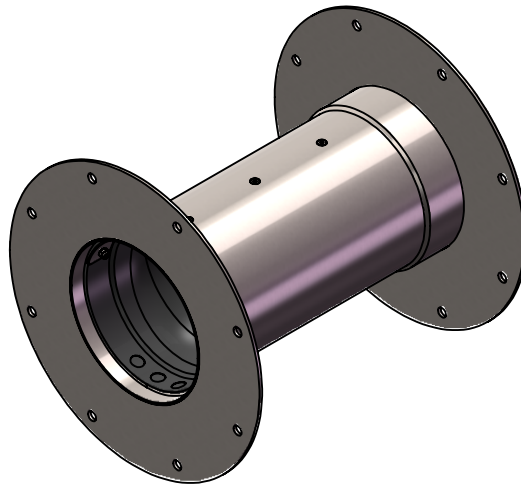
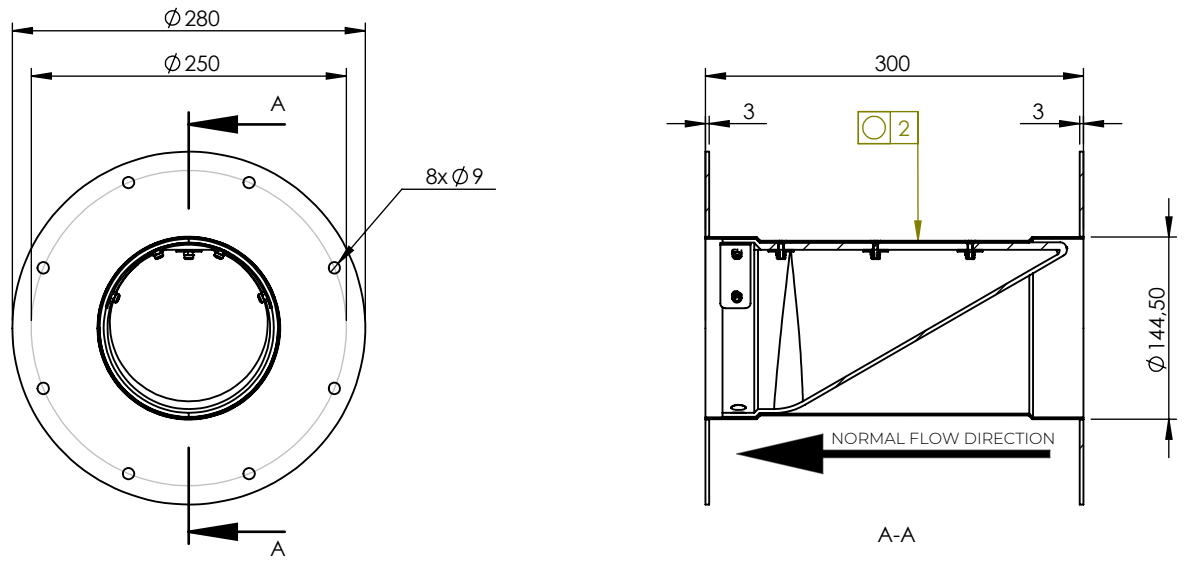


Rev	Note	CreatedBy	Appr.By	Appr.Date
A	Initial release	FG	PW	2021-03-12



© 2021 Wapro AB. This document is subject to copyrights owned by Wapro AB. Any amendments, republication, retransmission, and/or reproduction of all or any part of the document is expressly prohibited, unless the copyright owner of the material has expressly granted its prior written consent. All other rights are reserved.

Designed By FG	Approved By PW	Created Date 2021-03-12	Units [mm]	General Tolerance ISO 13920A	Scale 1:6	
Material EN 1.4404			Project			Comments
Weight [kg] 1.93		Box Volume [m³] 0.025	Description WaStop DN150			
 www.wapro.com			Double Flange			
			Article Number WS146-S-2FL	Drawing Number ws146-s-2fl-en	Rev A	Sheet 1 (1)