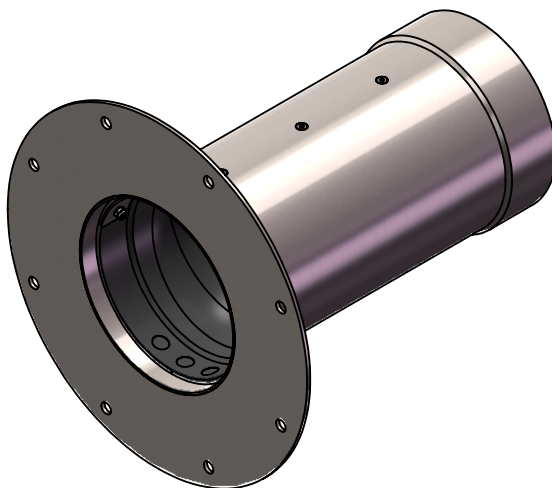
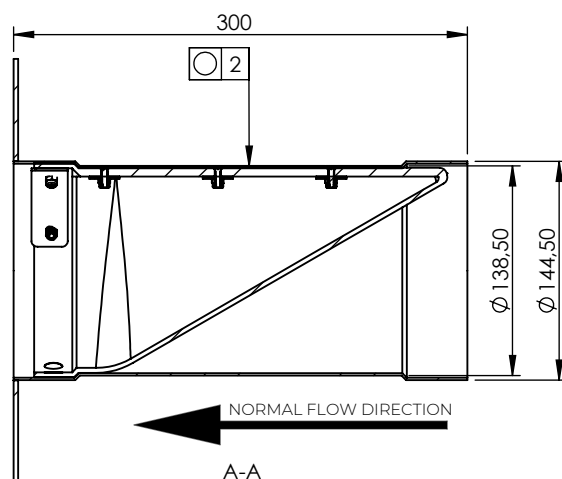
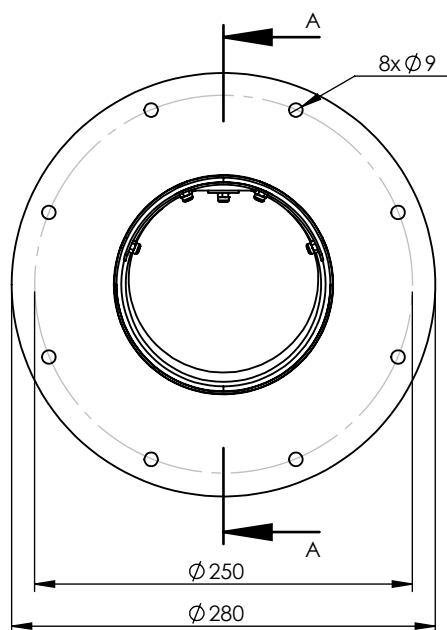


Rev	Note	CreatedBy	Appr.By	Appr.Date
A	Initial release	FG	PW	2019-12-04



© 2018 Wapro AB. This document is subject to copyrights owned by Wapro AB. Any amendments, republication, retransmission, and/or reproduction of all or any part of the document is expressly prohibited, unless the copyright owner of the material has expressly granted its prior written consent. All other rights are reserved.

Designed By FG	Approved By PW	Created Date 2019-12-03	Units [mm]	General Tolerance ISO 13920A	Scale 1:5	
Material EN 1.4404			Project			Comments
Weight [kg] 1.93		Box Volume [m³] 0.025	Description WaStop DN150			
 www.wapro.com			Flange			
			Article Number WS146-S-FL	Drawing Number ws146-s-fl-en	Rev A	Sheet 1 (1)