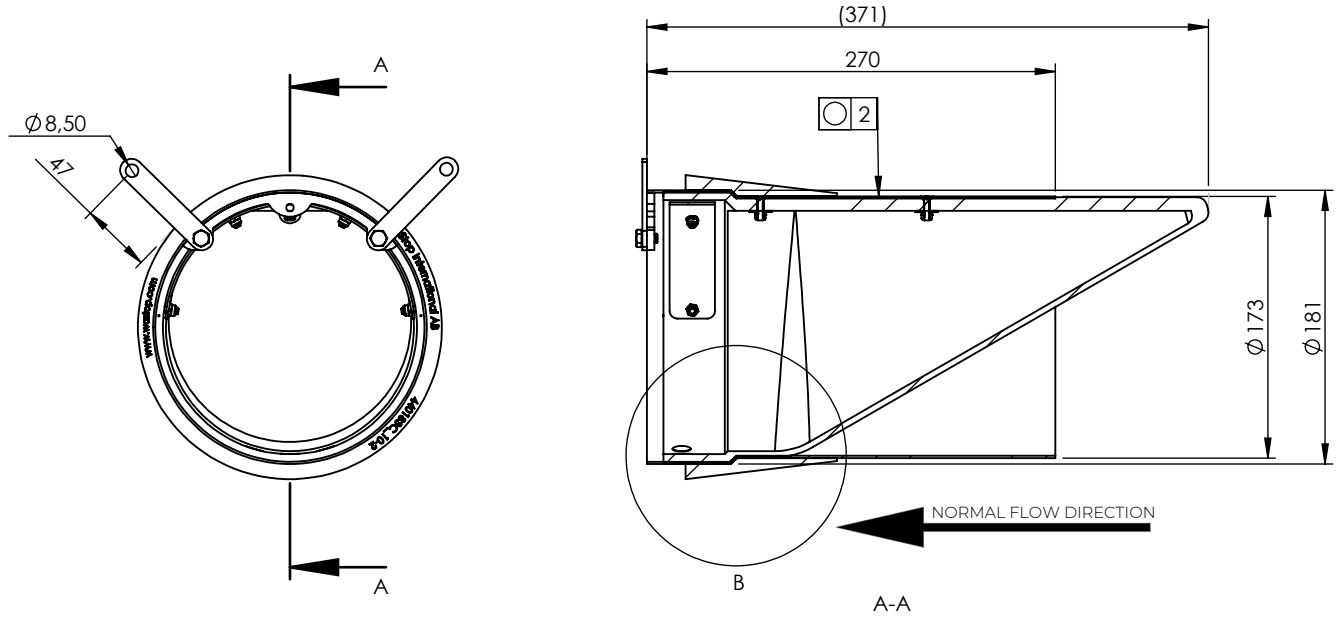
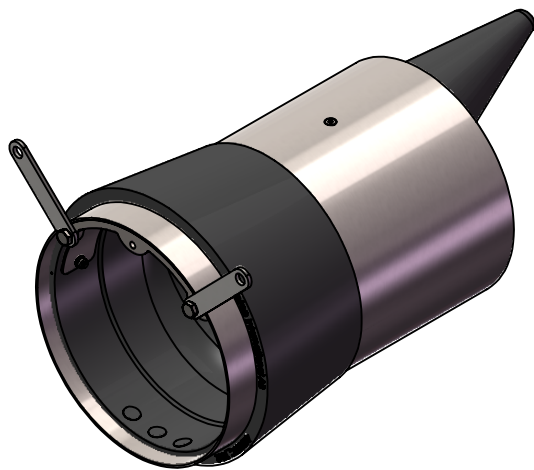
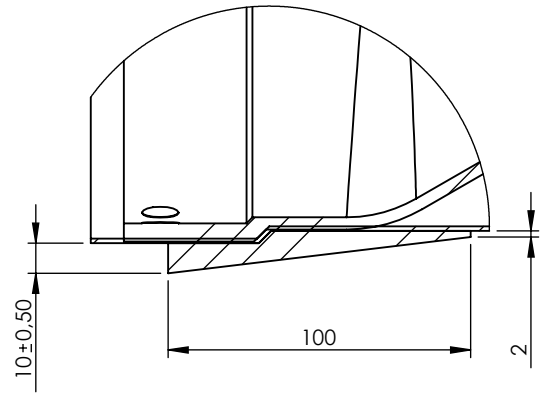


Rev	Note	CreatedBy	Appr.By	Appr.Date
A	Initial release	FG	PW	2020-01-07



DETAIL B
SCALE 2 : 5



© 2018 Wapro AB. This document is subject to copyrights owned by Wapro AB. Any amendments, republication, retransmission, and/or reproduction of all or any part of the document is expressly prohibited, unless the copyright owner of the material has expressly granted its prior written consent. All other rights are reserved.

Designed By FG	Approved By PW	Created Date 2020-01-03	Units [mm]	General Tolerance ISO 13920A	Scale 1:5	
Material AISI 316L / EN 1.4404		Box Volume [m³] 0,02	Project WaStop DN200		Comments	
Weight [kg] 3,02			Description Short			
 www.wapro.com			Article Number WS183-S-SH	Drawing Number ws183-s-sh-en	Rev A	Sheet 1 (1)