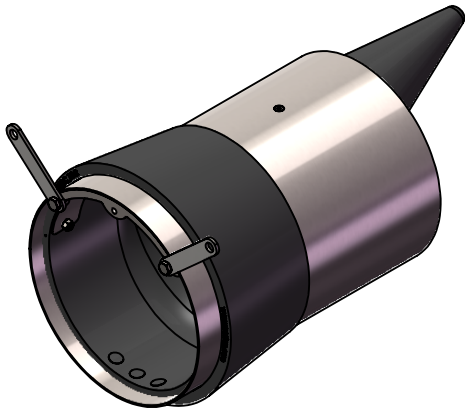
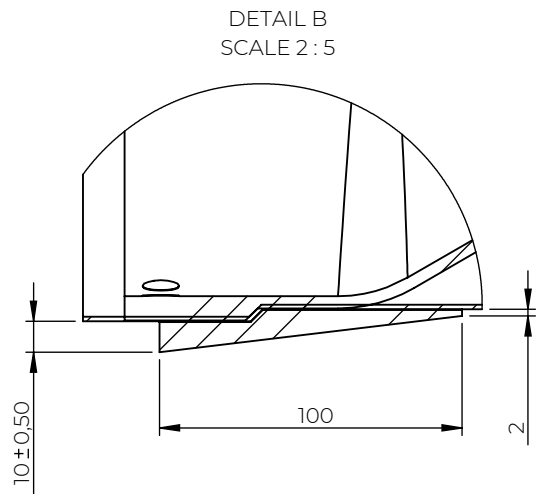
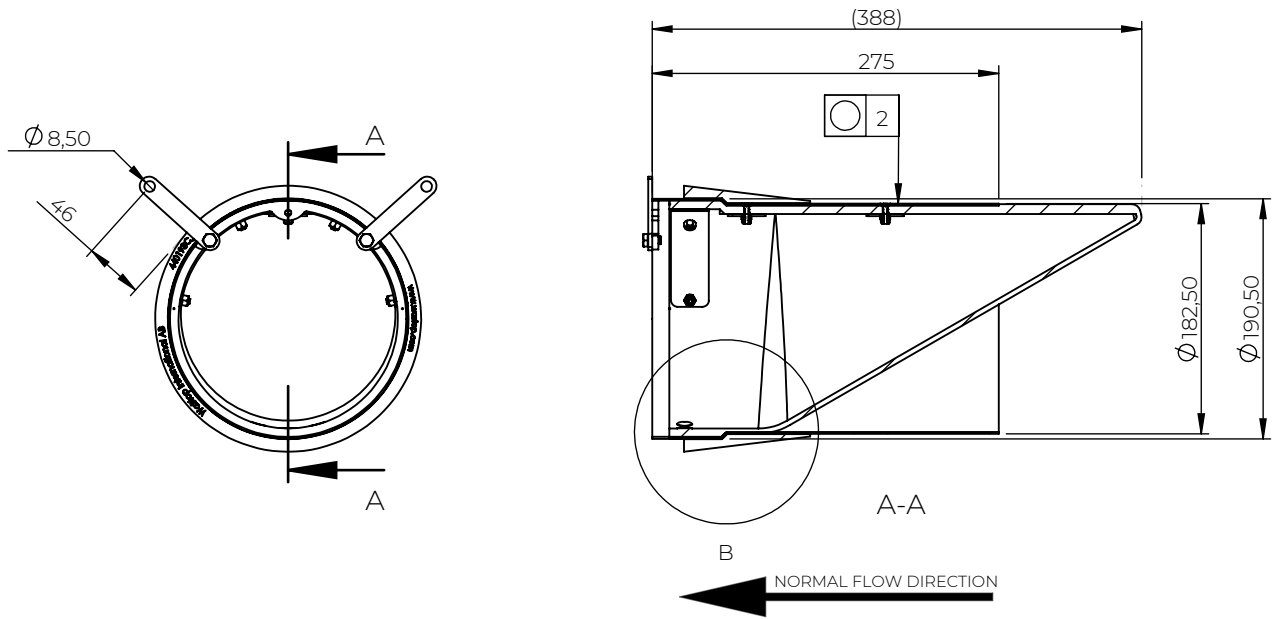


Rev	Note	CreatedBy	Appr.By	Appr.Date
A	Initial release		PW	2020-01-02



Designed By FG	Approved By PW	Created Date 2019-12-30	Units [mm]	General Tolerance ISO 13920A	Scale 1:6	
Material AISI 316L / EN 1.4404		Box Volume [m³] 0.015	Project WaStop DN200			
Weight [kg] 3.27		Description Short		Article Number WS193-S-SH		
 www.wapro.com		Drawing Number ws193-s-sh-en		Rev A	Sheet 1 (1)	