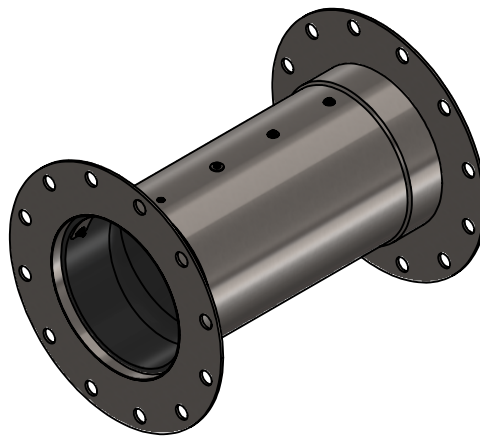
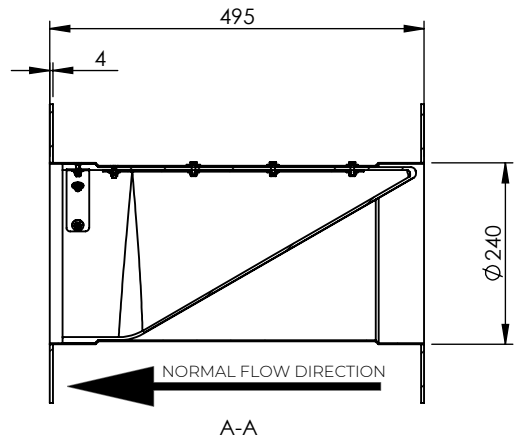
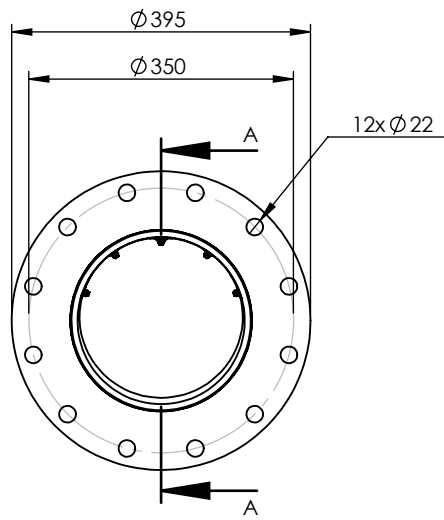



NOT FOR PRODUCTION

© 2021 Wapro AB. This document is subject to copyrights owned by Wapro AB. Any amendments, republication, retransmission, and/or reproduction of all or any part of the document is expressly prohibited, unless the copyright owner of the material has expressly granted its prior written consent. All other rights are reserved.

Rev	Note	CreatedBy	Appr.By	Appr.Date
A	Initial release	FG	PW	2021-02-03



Designed By FG	Approved By PW	Created Date 2021-02-03	Units [mm]	General Tolerance ISO 13920A	Scale 1:10	
Material AISI 316L / EN 1.4404			Project			Comments
Weight [kg] 5		Box Volume [m³] 0,03	Description WaStop DN250 PN10 2FL			
 www.wapro.com			Article Number WS240-SPEC	Drawing Number 039987	Rev A	Sheet 1 (1)