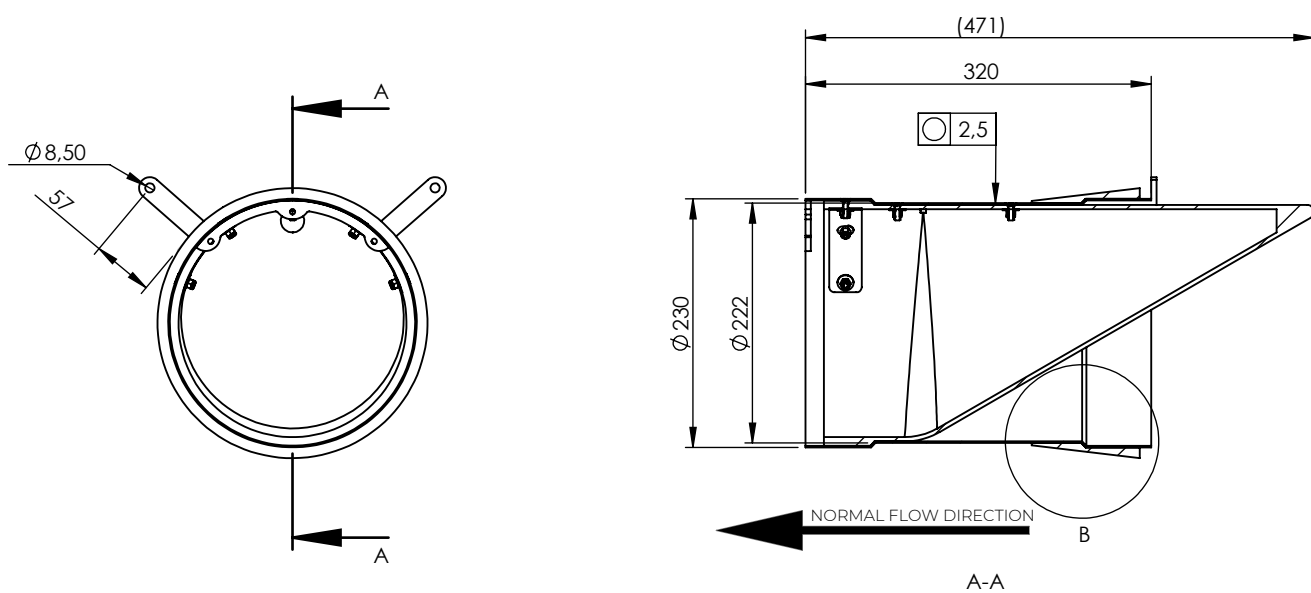
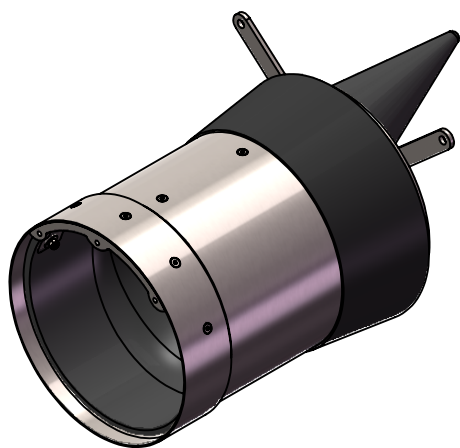


Rev	Note	CreatedBy	Appr.By	Appr.Date
A	Initial release	FG	PW	2020-01-10



DETAIL B  
SCALE 1 : 4



Designed By FG	Approved By PW	Created Date 2020-01-09	Units [mm]	General Tolerance ISO 13920A	Scale 1:7	
Material AISI 316L / EN 1.4404			Project		Comments	
Weight [kg] 5,75	Box Volume [m³] 0,025	Description WaStop DN250 Short with double collar				
 www.wapro.com		Article Number WS230-S-SHDC	Drawing Number ws230-s-shdc-en	Rev A	Sheet 1 (1)	