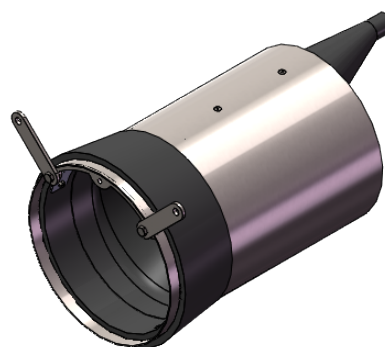
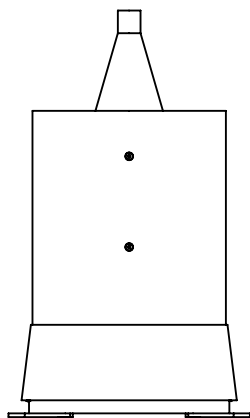
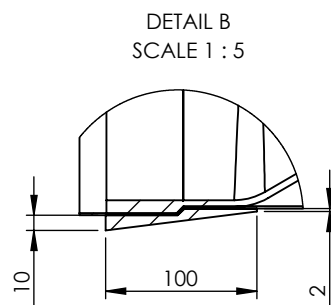
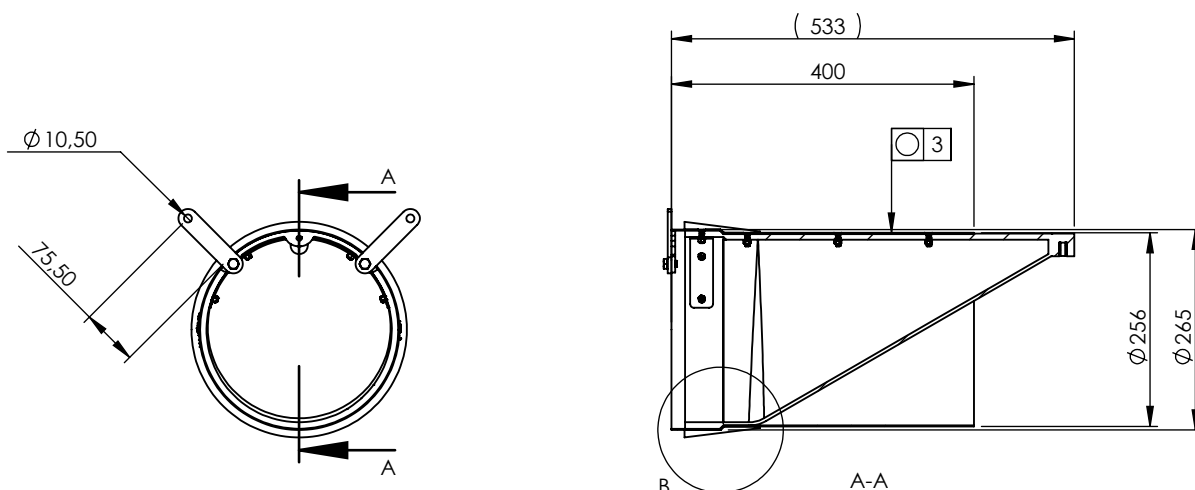


Rev	Note	CreatedBy	Appr.By	Appr.Date
A	Initial release	AE	PW	2019-04-02



© 2018 Wapro AB. This document is subject to copyrights owned by Wapro AB. Any amendments, republication, retransmission, and/or reproduction of all or any part of the document is expressly prohibited, unless the copyright owner of the material has expressly granted its prior written consent. All other rights are reserved.

Designed By PM	Approved By PM	Created Date 2015-08-07	Units [mm]	General Tolerance ISO 13920A	Scale 1:10	
Material EN 1.4301 / EN 1.4404			Comments		Project	
Weight [kg] 7,19	Box Volume [m³] 0,05	Description WaStop DN270				
 www.wapro.com		Short with mounting tabs and rubber seal				
		Article Number WS265-S-SH	Drawing Number ws265-s-sh-en	Rev A	Sheet 1 (1)	