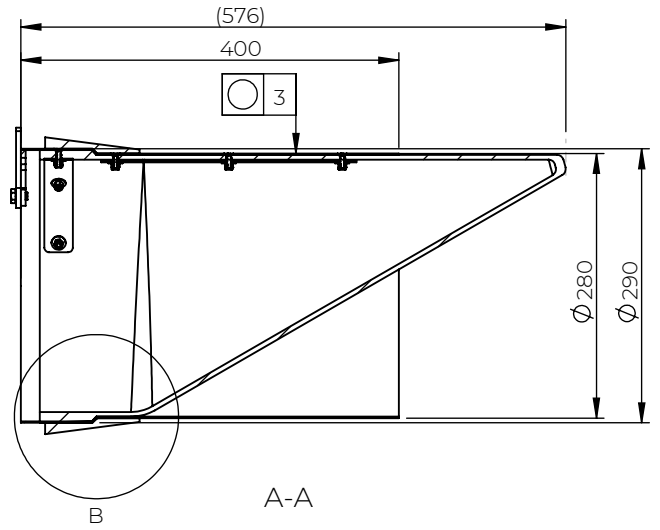
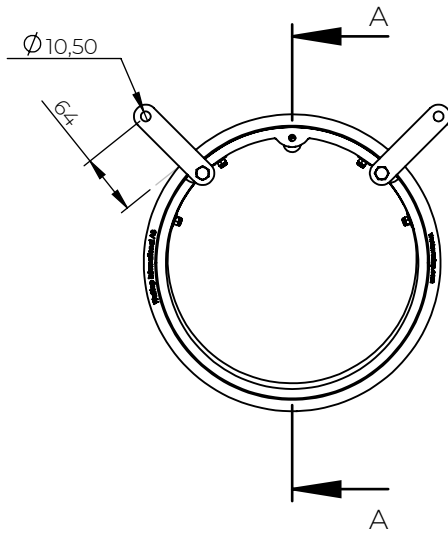
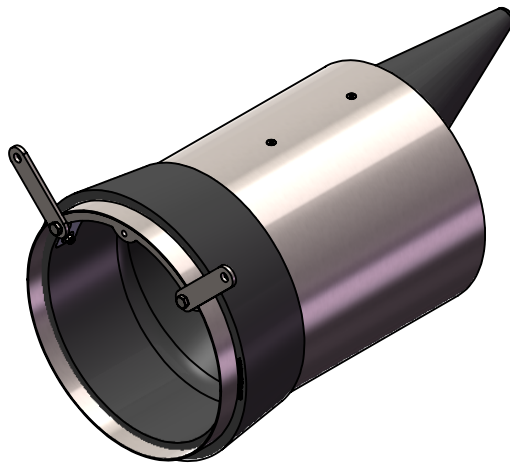
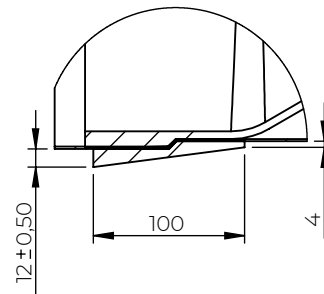



Rev	Note	CreatedBy	Appr.By	Appr.Date
A	Initial release		PW	2019-12-18



DETAIL B  
SCALE 1 : 5



© 2018 Wapro AB. This document is subject to copyrights owned by Wapro AB. Any amendments, republication, retransmission, and/or reproduction of all or any part of the document is expressly prohibited, unless the copyright owner of the material has expressly granted its prior written consent. All other rights are reserved.

Designed By FG	Approved By PW	Created Date 2019-12-18	Units [mm]	General Tolerance ISO 13920A	Scale 1:8	
Material EN1.4301/ EN1.4404			Project		Comments	
Weight [kg] 6,9		Box Volume [m³] 0,05	Description WaStop DN300			
 <a href="http://www.wapro.com">www.wapro.com</a>			Short WaStop			
			Article Number WS290-S-SH	Drawing Number ws290-s-sh-en	Rev A	Sheet 1 (1)