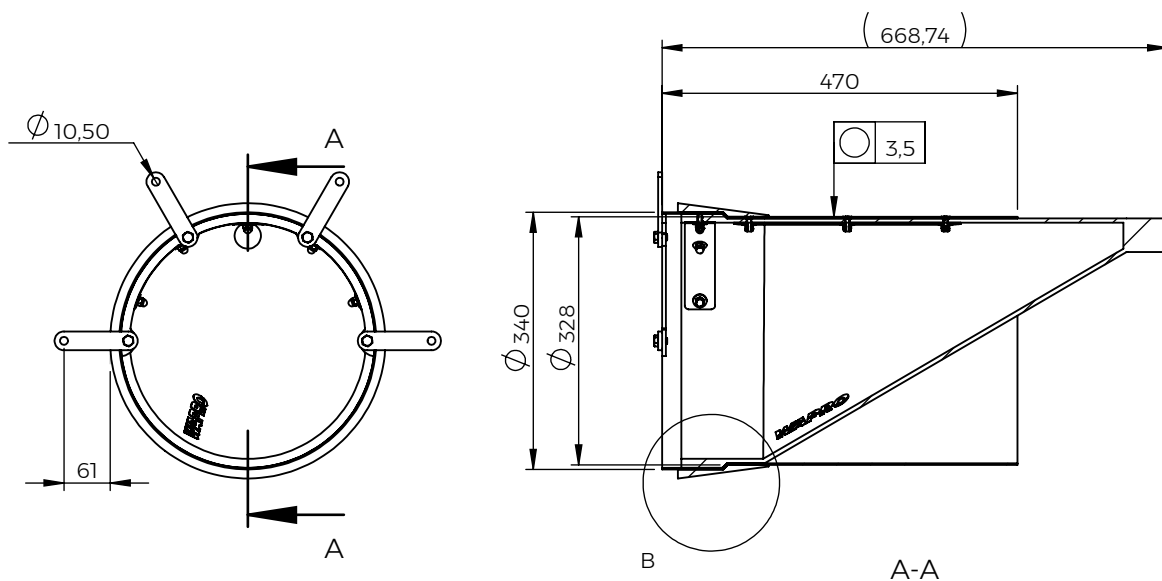
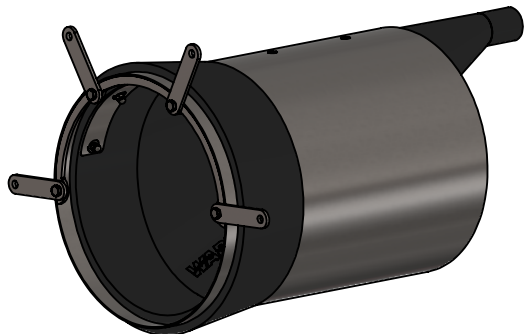
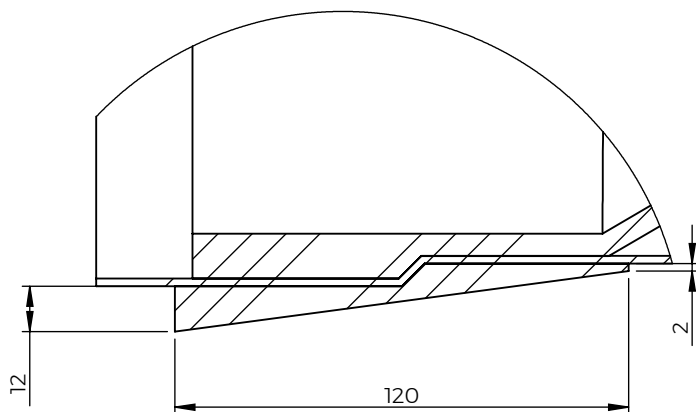


Rev	Note	CreatedBy	Appr.By	Appr.Date
A	Initial release		AE	2019-04-04



DETAIL B  
SCALE 1:2



Designed By PW	Approved By AE	Created Date 2019-11-22	Units [mm]	General Tolerance ISO 13920A	Scale 1:10	
Material EN 1.4404		Box Volume [m³] 0,08	Comments		Project	
Weight [kg] 12,58	Description WaStop DN350		Short			
 www.wapro.com		Article Number WS340-S-SH	Drawing Number ws340-s-sh-en	Rev	Sheet 1 (1)	

© 2018 Wapro AB. This document is subject to copyrights owned by Wapro AB. Any amendments, republication, retransmission, and/or reproduction of all or any part of the document is expressly prohibited, unless the copyright owner of the material has expressly granted its prior written consent. All other rights are reserved.