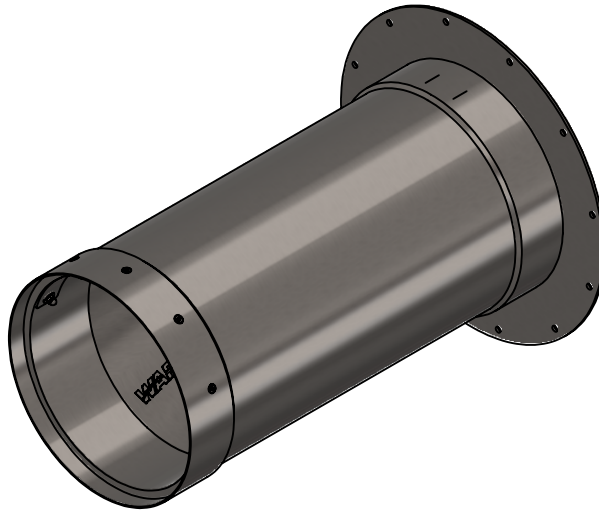
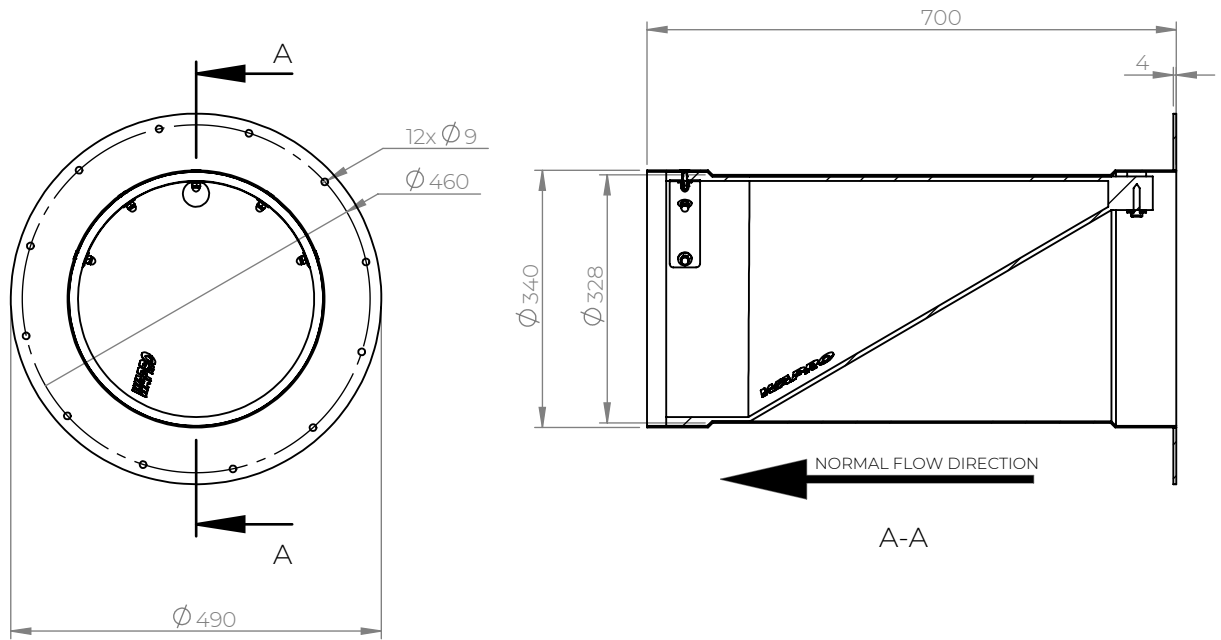


Rev	Note	CreatedBy	Appr.By	Appr.Date
A	Initial release	HE	FG	2020-04-28



© 2018 Wapro AB. This document is subject to copyrights owned by Wapro AB. Any amendments, republication, retransmission, and/or reproduction of all or any part of the document is expressly prohibited, unless the copyright owner of the material has expressly granted its prior written consent. All other rights are reserved.

Designed By	Approved By	Created Date	Units	General Tolerance	Scale	
	FG		[mm]	ISO 13920A	1:10	
Material			Project			Comments
AISI 316L / EN 1.4404						
Weight [kg]		Box Volume [m³]	Description			
15,65		0,08	WaStop DN350			
 www.wapro.com			Flange inlet			
			Article Number	Drawing Number	Rev	Sheet
			WS340-S-FL2	ws340-s-fl2-en	A	1 (1)