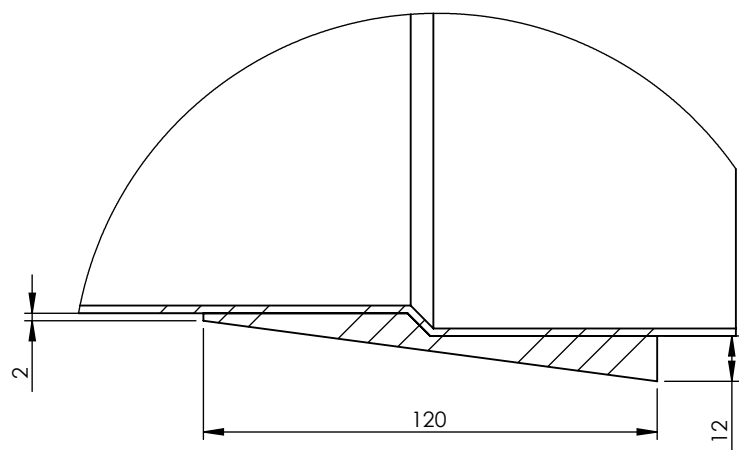
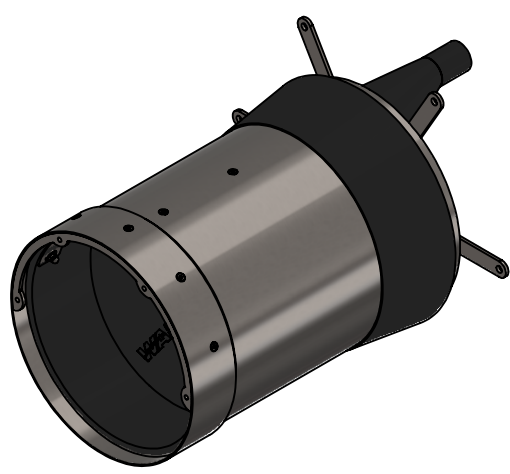
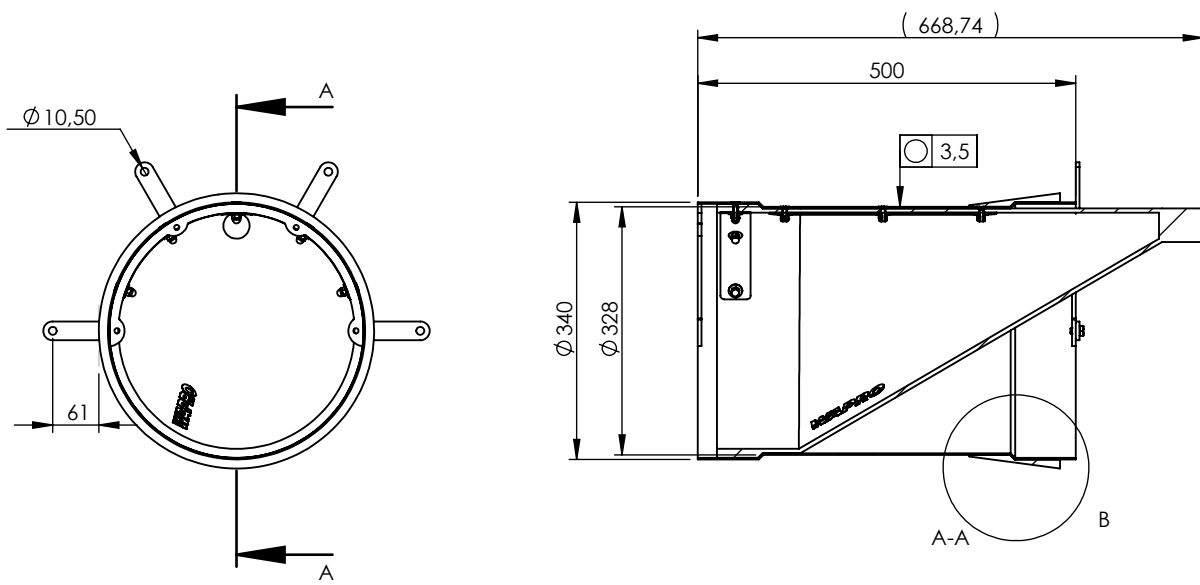


Rev	Note	CreatedBy	Appr.By	Appr.Date
A	Initial release	HE	AE	2019-12-06



DETAIL B
SCALE 1 : 2

© 2018 Wapro AB. This document is subject to copyrights owned by Wapro AB. Any amendments, republication, retransmission, and/or reproduction of all or any part of the document is expressly prohibited, unless the copyright owner of the material has expressly granted its prior written consent. All other rights are reserved.

Designed By PW	Approved By AE	Created Date 2019-11-22	Units [mm]	General Tolerance ISO 13920A	Scale 1:10	
Material EN 1.4404		Box Volume [m³] 0,08	Project WaStop DN350		Comments	
Weight [kg] 13.38			Description Short double collar			
 www.wapro.com			Article Number WS340-S-SHDC	Drawing Number ws340-s-shdc-en	Rev A	Sheet 1 (1)