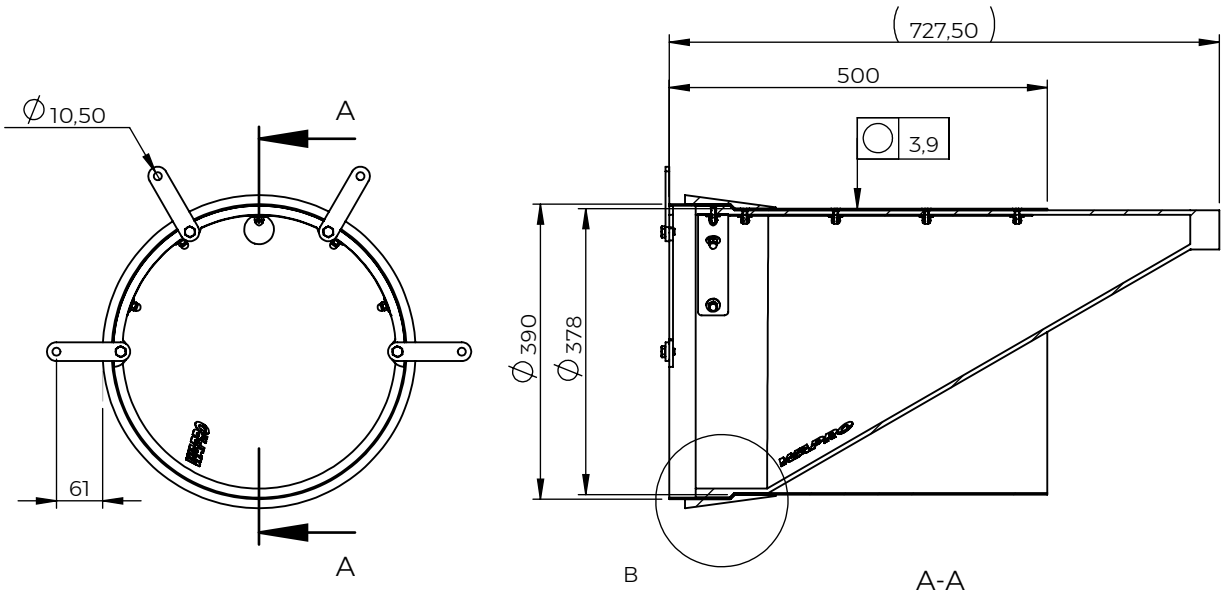
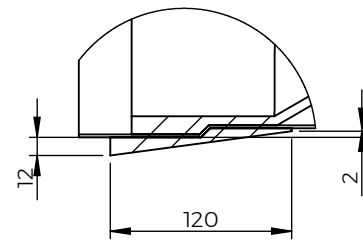
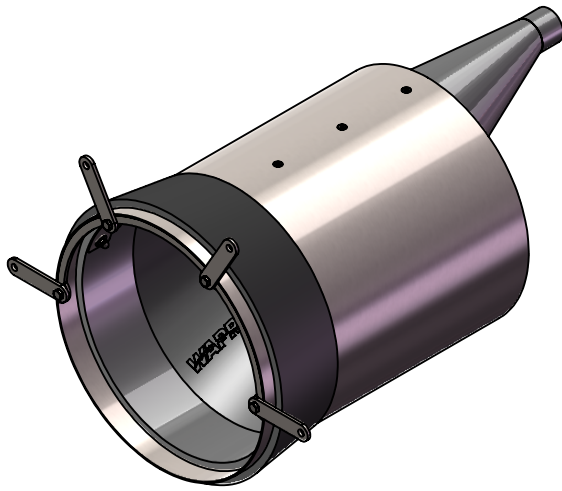


Rev	Note	CreatedBy	Appr.By	Appr.Date
A	Initial release	HE	AE	2019-12-10



DETAIL B
SCALE 1 : 5



Designed By PW	Approved By AE	Created Date 2019-11-20	Units [mm]	General Tolerance ISO 13920A	Scale 1:10	
Material EN 1.4404			Project			
Weight [kg] 15,21		Box Volume [m³] 0,12	Description WaStop DN400			
 www.wapro.com			Short WaStop			
			Article Number WS390-S-SH	Drawing Number ws390-s-sh-en	Rev A	Sheet 1 (1)