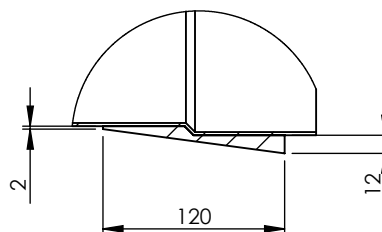
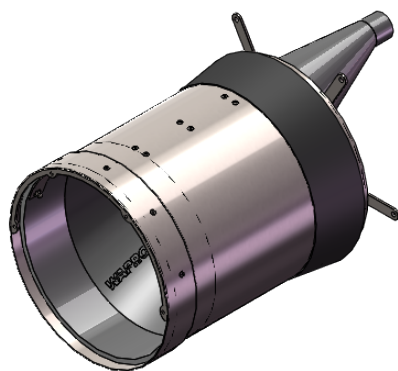
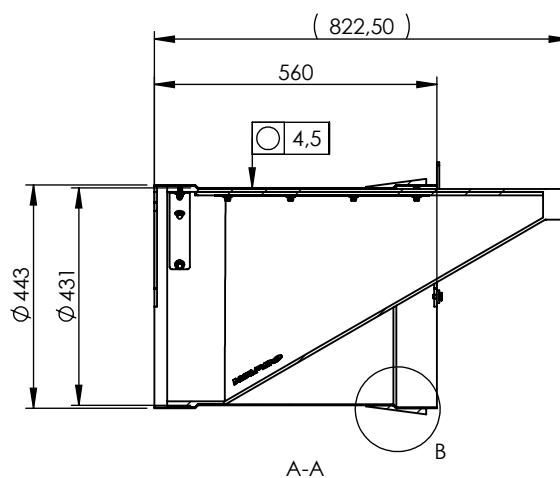
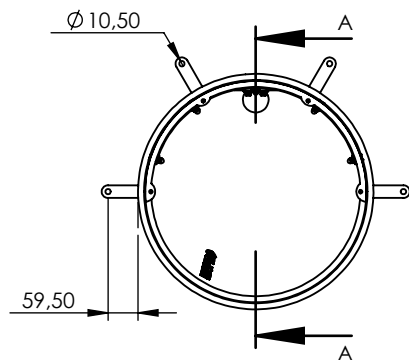


Rev	Note	CreatedBy	Appr.By	Appr.Date
A	Initial release	PW	AE	2019-10-01



DETAIL B  
SCALE 1 : 5

Designed By PW	Approved By AE	Created Date 2019-10-01	Units [mm]	General Tolerance ISO 13920A	Scale 1:15	
Material EN 1.4301 / EN 1.4404			Project		Comments	
Weight [kg] 19,99		Box Volume [m³] 0,163	Description Wastop DN450			
 www.wapro.com			Short double collar			
			Article Number WS440-S-SHDC	Drawing Number ws440-s-shdc-en	Rev A	Sheet 1 (1)

© 2018 Wapro AB. This document is subject to copyrights owned by Wapro AB. Any amendments, republication, retransmission, and/or reproduction of all or any part of the document is expressly prohibited, unless the copyright owner of the material has expressly granted its prior written consent. All other rights are reserved.