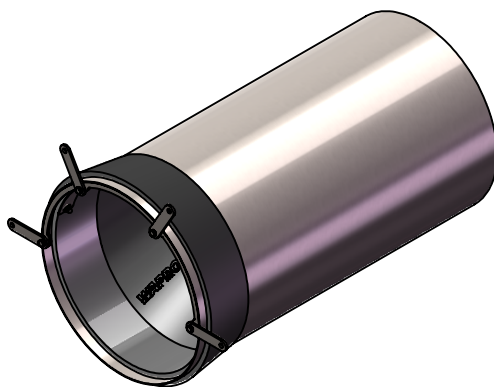
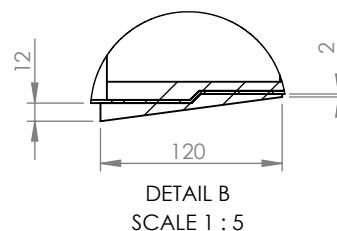
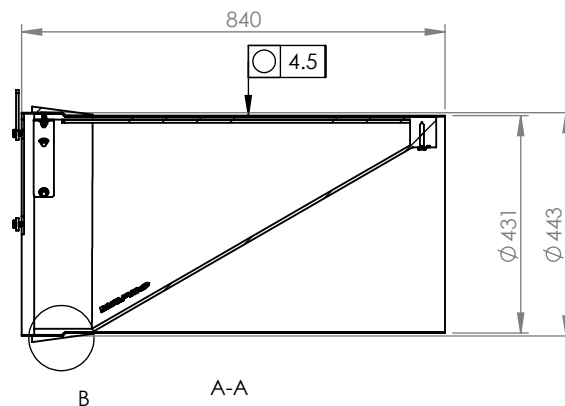
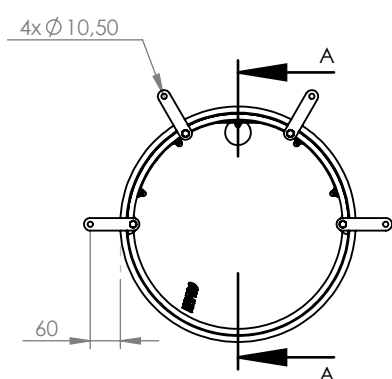


Rev	Note	CreatedBy	Appr.By	Appr.Date
A	Initial release	PW	FG	2020-03-20



Designed By	Approved By	Created Date	Units	General Tolerance	Scale	
AE	FG	2020-03-18	[mm]	ISO 13920A	1:15	
Material			Project			Comments
EN 1.4301 / EN 1.4404						
Weight [kg]		Box Volume [m ³]	Description			
25,48		0,163	WaStop DN450 One collar			
 www.wapro.com			Article Number	Drawing Number	Rev	Sheet
			ws440-s-oc	ws440-s-oc-en	A	1 (1)

© 2018 Wapro AB. This document is subject to copyrights owned by Wapro AB. Any amendments, republication, retransmission, and/or reproduction of all or any part of the document is expressly prohibited, unless the copyright owner of the material has expressly granted its prior written consent. All other rights are reserved.