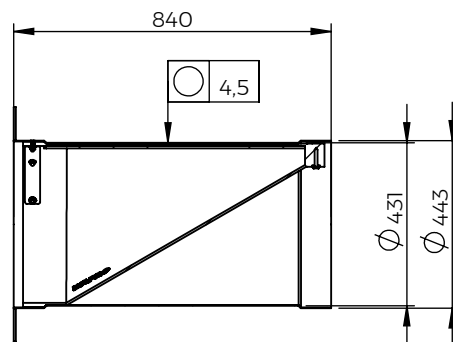
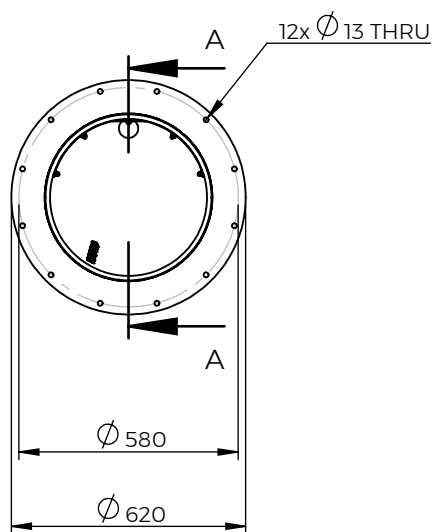
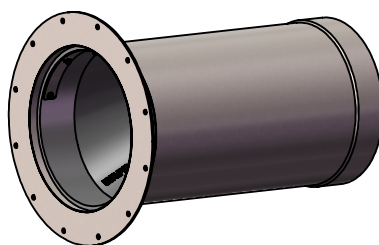


Rev	Note	CreatedBy	Appr.By	Appr.Date
A	Initial release	HE		



A-A



© 2018 Wapro AB. This document is subject to copyrights owned by Wapro AB. Any amendments, republication, retransmission, and/or reproduction of all or any part of the document is expressly prohibited, unless the copyright owner of the material has expressly granted its prior written consent. All other rights are reserved.

Designed By HE	Approved By	Created Date 2017-11-22	Units [mm]	General Tolerance ISO 13920A	Scale 1:20	
Material EN 1.4301 / EN 1.4404			Project		Comments	
Weight [kg] 30.64		Box Volume [m³] 0,27	Description WaStop DN450			
 www.wapro.com			Flange outlet			
			Article Number WS440-S-FL	Drawing Number ws440-s-fl-en	Rev A	Sheet 1 (1)