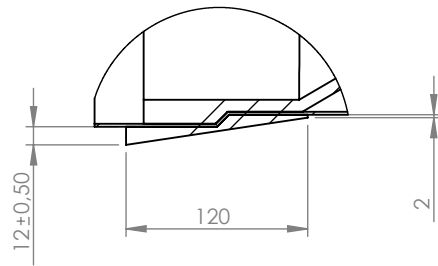
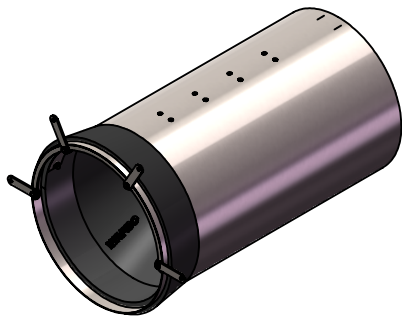
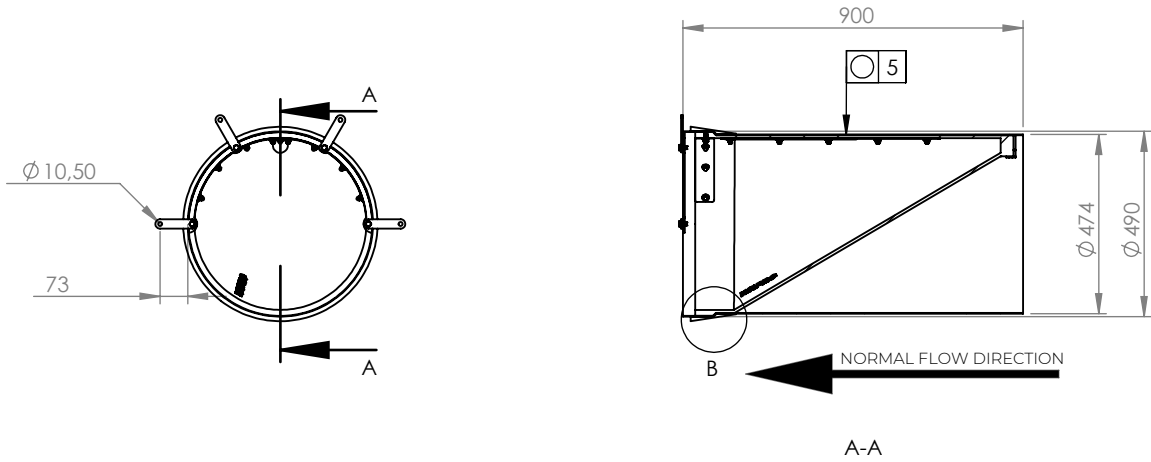


Rev	Note	CreatedBy	Appr.By	Appr.Date
A	Initial release	AE	FG	2020-03-27



DETAIL B  
SCALE 1 : 5

© 2018 Wapro AB. This document is subject to copyrights owned by Wapro AB. Any amendments, republication, retransmission, and/or reproduction of all or any part of the document is expressly prohibited, unless the copyright owner of the material has expressly granted its prior written consent. All other rights are reserved.

Designed By PW	Approved By AE	Created Date 2019-12-02	Units [mm]	General Tolerance SS-ISO 2768-1 m	Scale 1:20	
Material EN 1.4301 / EN 1.4404		Comments		Project		
Weight [kg] 31,99	Box Volume [m³] 0,22	Description WaStop DN500 One collar				
 www.wapro.com		Article Number WS490-S-OC	Drawing Number ws490-s-oc-en	Rev A	Sheet 1 (1)	