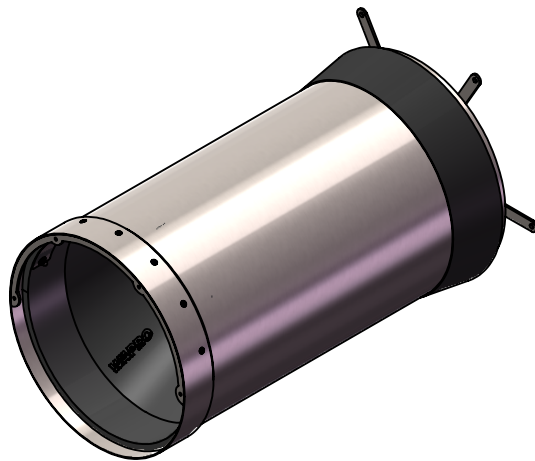
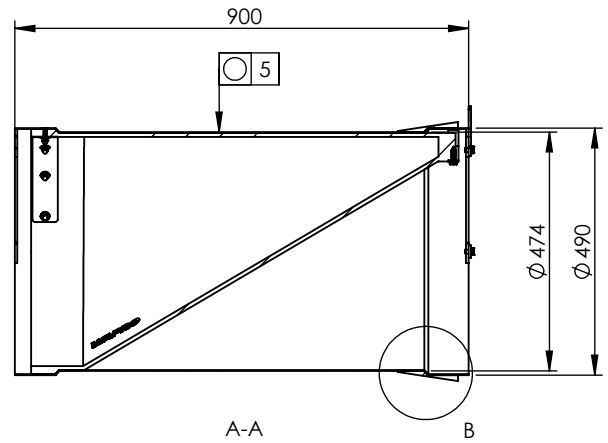
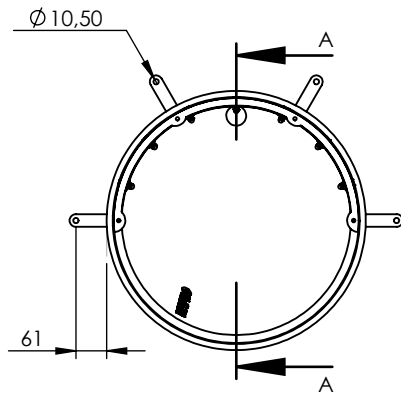
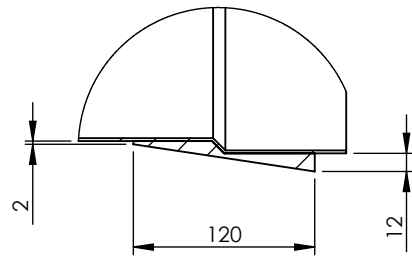


Rev	Note	CreatedBy	Appr.By	Appr.Date
A	Initial release	AE	PW	2019-03-04



DETAIL B  
SCALE 1 : 5



© 2018 Wapro AB. This document is subject to copyrights owned by Wapro AB. Any amendments, republication, retransmission, and/or reproduction of all or any part of the document is expressly prohibited, unless the copyright owner of the material has expressly granted its prior written consent. All other rights are reserved.

Designed By HE	Approved By	Created Date 2019-12-16	Units [mm]	General Tolerance ISO 13920A	Scale 1:15	
Material EN 1.4301 / EN 1.4404			Comments		Project	
Weight [kg] 32,23		Box Volume [m³] 0,22	Description WaStop DN500			
 www.wapro.com			Reversed			
			Article Number WS490-S-REVERSED	Drawing Number ws490-s-reversed-en	Rev A	Sheet 1 (1)