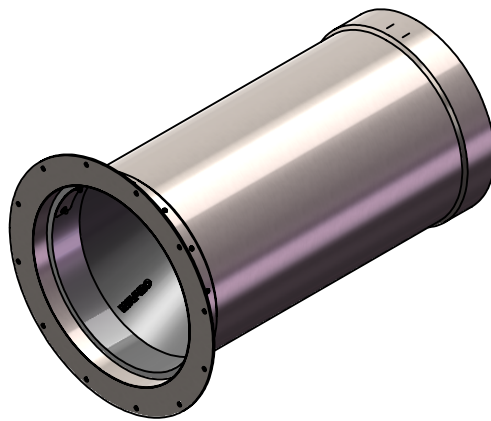
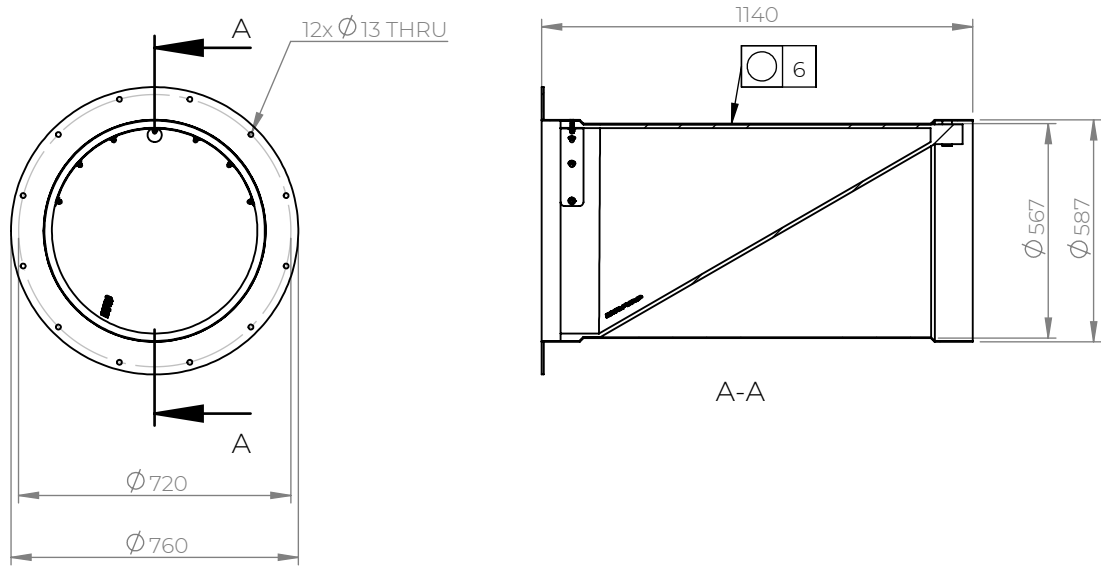


|     |                         |           |         |            |
|-----|-------------------------|-----------|---------|------------|
| Rev | Note                    | CreatedBy | Appr.By | Appr.Date  |
| B   | Length 1200 --> 1140 mm | PW        | FG      | 2020-01-13 |



© 2018 Wapro AB. This document is subject to copyrights owned by Wapro AB. Any amendments, republication, retransmission, and/or reproduction of all or any part of the document is expressly prohibited, unless the copyright owner of the material has expressly granted its prior written consent. All other rights are reserved.

|                                   |                   |                            |                              |                                 |               |                |
|-----------------------------------|-------------------|----------------------------|------------------------------|---------------------------------|---------------|----------------|
| Designed By<br>HE                 | Approved By<br>AE | Created Date<br>2014-06-19 | Units<br>[mm]                | General Tolerance<br>ISO 13920A | Scale<br>1:20 |                |
| Material<br>EN 1.4301 / EN 1.4404 |                   |                            | Project                      |                                 | Comments      |                |
| Weight [kg]<br>54,15              |                   | Box Volume [m³]<br>0,73    | Description<br>WaStop DN600  |                                 |               |                |
| <br>www.wapro.com                 |                   |                            | Flange outlet                |                                 |               |                |
|                                   |                   |                            | Article Number<br>WS590-S-FL | Drawing Number<br>ws590-s-fl-en | Rev<br>B      | Sheet<br>1 (1) |