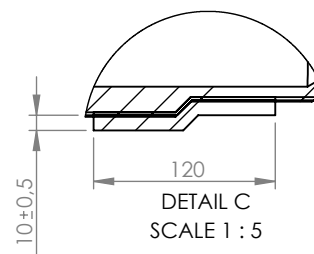
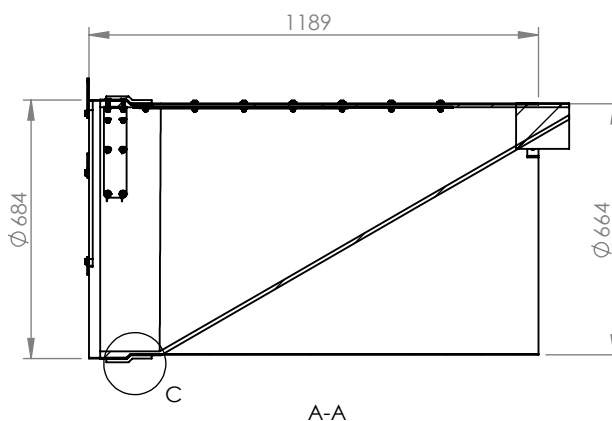
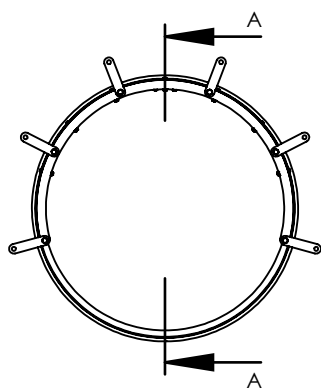


Rev	Note	CreatedBy	Appr.By	Appr.Date
A	Initial release	PW	AE	2018-10-03



Designed By PM	Approved By PM	Created Date 2011-05-12	Units [mm]	General Tolerance SS-ISO 2768-1 m	Scale 1:20	
Material EN 1.4301 / EN 1.4404			Comments		Project	
Weight [kg] 69.63	Box Volume [m³]		Description WaStop DN700			
 www.wapro.com			One collar			
			Article Number WS690-S-OC	Drawing Number WS690	Rev A	Sheet 1 (1)

© 2018 Wapro AB. This document is subject to copyrights owned by Wapro AB. Any amendments, republication, retransmission, and/or reproduction of all or any part of the document is expressly prohibited, unless the copyright owner of the material has expressly granted its prior written consent. All other rights are reserved.