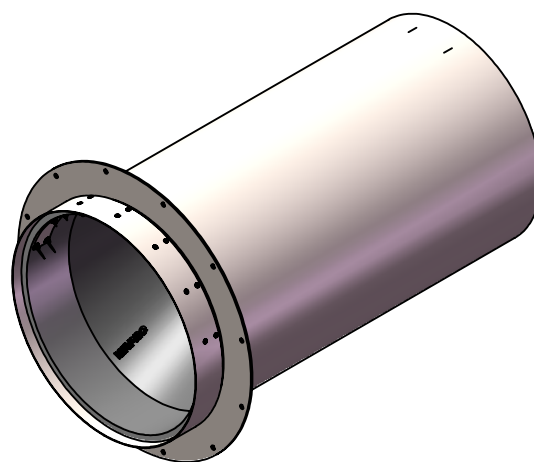
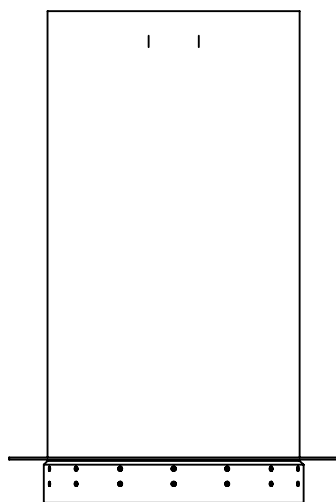
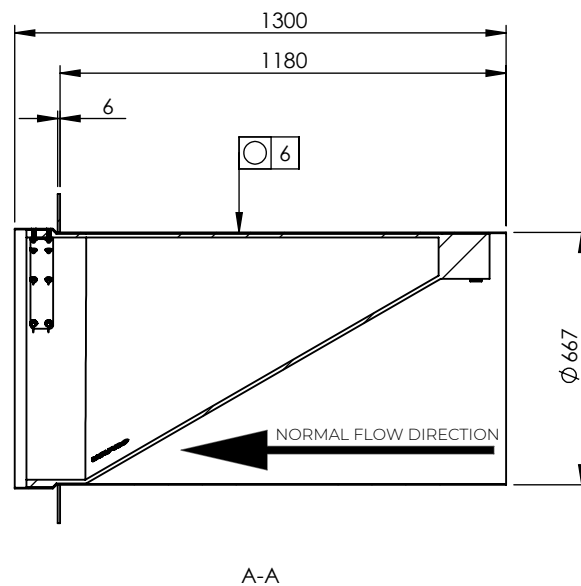
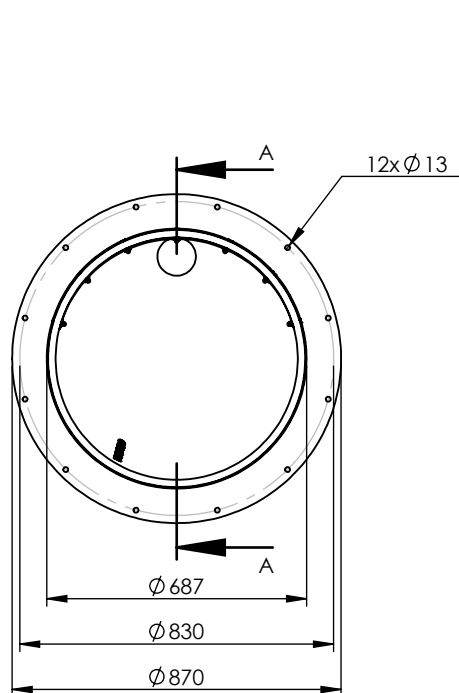


Rev	Note	CreatedBy	Appr.By	Appr.Date
A	Initial release	AE	PW	2020-11-20



Designed By AE	Approved By PW	Created Date 2020-11-20	Units [mm]	General Tolerance ISO 13920A	Scale 1:20	
Material EN 1.4301 / EN 1.4404			Project		Comments	
Weight [kg] 75.15		Box Volume [m ³]		Description WaStop 690 flange 670		
 www.wapro.com				One collar		
				Article Number ws690-s-fl_670	Drawing Number WS690-S-FL_670-en	Rev A

© 2018 Wapro AB. This document is subject to copyrights owned by Wapro AB. Any amendments, republication, retransmission, and/or reproduction of all or any part of the document is expressly prohibited, unless the copyright owner of the material has expressly granted its prior written consent. All other rights are reserved.