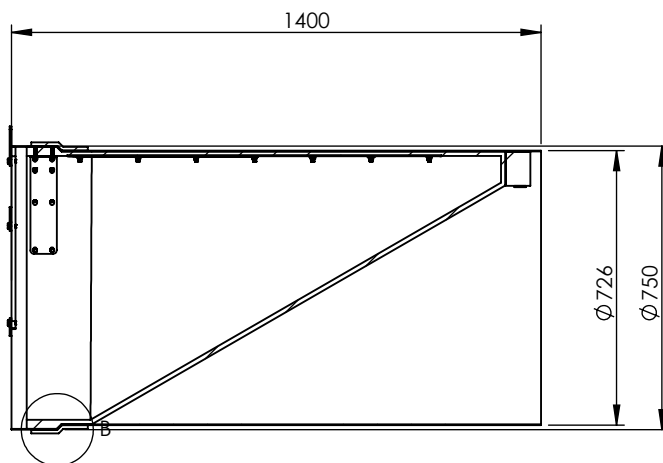
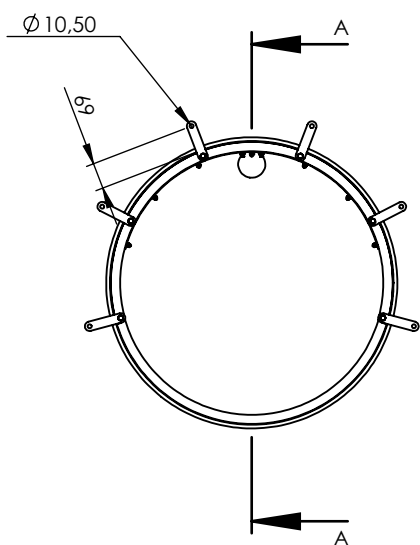
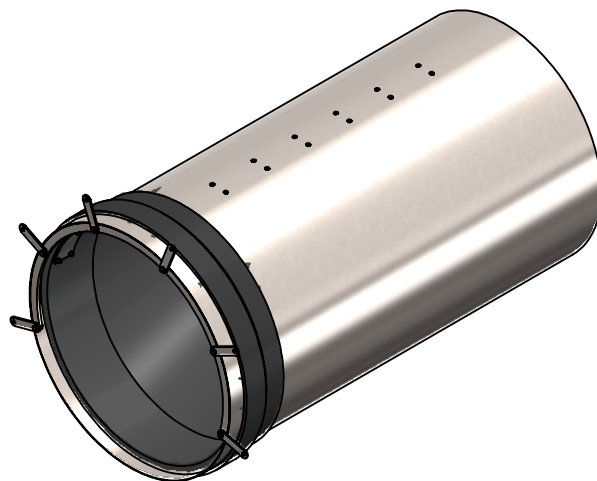
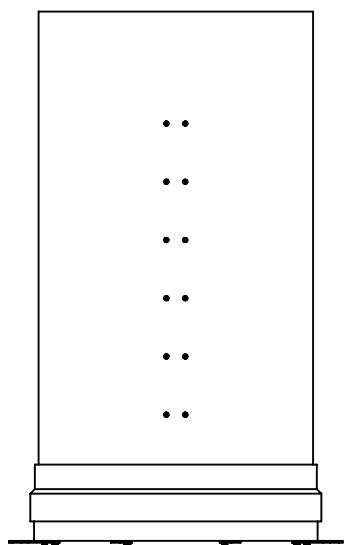
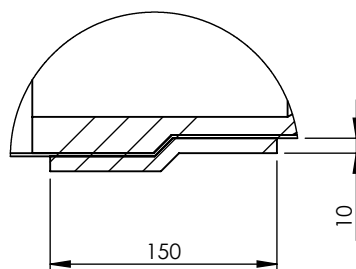


Rev	Note	CreatedBy	Appr.By	Appr.Date
A	Initial release	AE	PW	2019-05-03



A-A

DETAIL B
SCALE 1 : 5



© 2018 Wapro AB. This document is subject to copyrights owned by Wapro AB. Any amendments, republication, retransmission, and/or reproduction of all or any part of the document is expressly prohibited, unless the copyright owner of the material has expressly granted its prior written consent. All other rights are reserved.

Designed By AE	Approved By	Created Date 2018-07-11	Units [mm]	General Tolerance ISO 13920A	Scale 1:20	
Material EN 1.4301 / EN 1.4404	Weight [kg] 88		Box Volume [m³] 0,8		Comments Project	
			Description WaStop DN750			
			One collar mounting tabs and gasket			
Article Number WS750-S-OC		Drawing Number ws750-s-oc-en		Rev A	Sheet 1 (1)	