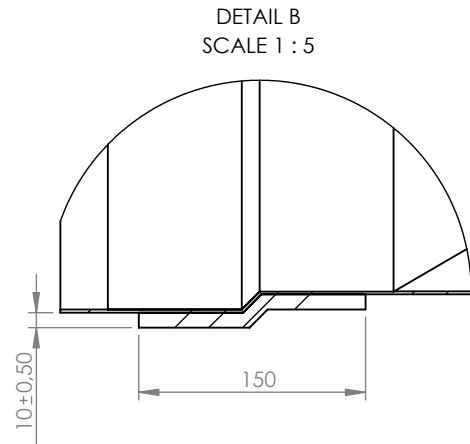
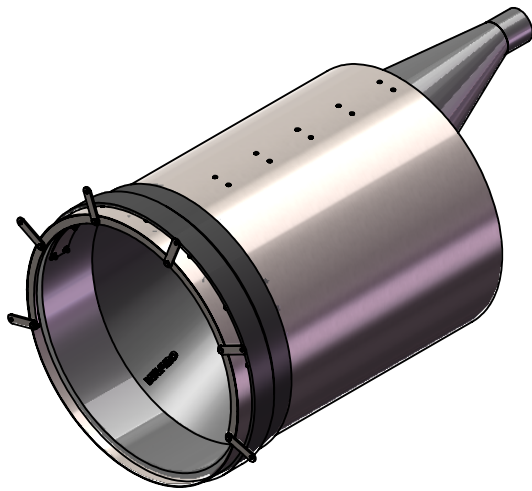
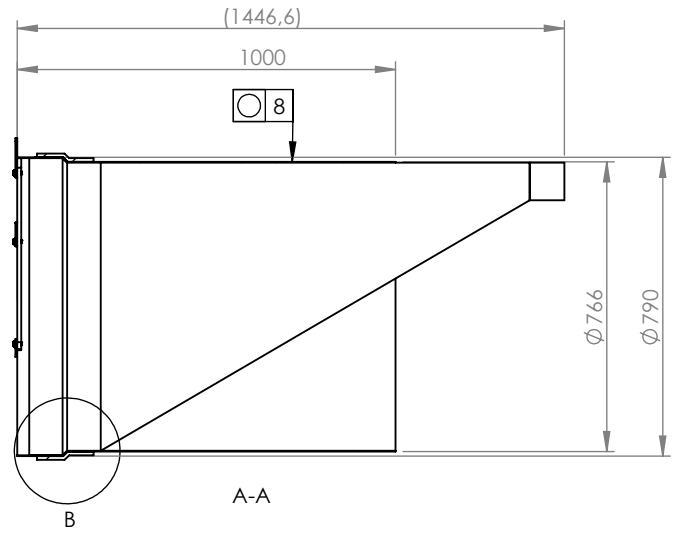
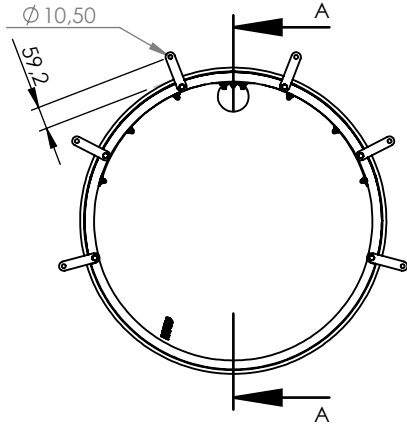


| Rev | Note | CreatedBy | Appr.By | Appr.Date |
|-----|-----------------|-----------|---------|------------|
| A | Initial release | FG | AE | 2019-11-29 |



© 2018 Wapro AB. This document is subject to copyrights owned by Wapro AB. Any amendments, republication, retransmission, and/or reproduction of all or any part of the document is expressly prohibited, unless the copyright owner of the material has expressly granted its prior written consent. All other rights are reserved.

| | | | | | | |
|-----------------------------------|-------------------------|------------------------------|---------------------------------|---------------------------------|----------------|--|
| Designed By FG | Approved By AE | Created Date 2019-11-28 | Units [mm] | General Tolerance ISO 13920A | Scale 1:20 | |
| Material EN 1.4301 / EN 1.4404 | | | Project | | Comments | |
| Weight [kg] 78,48 | Box Volume [m³] 0,95 | Description WaStop DN800 | | | | |
| www.wapro.com | | Short | | | | |
| | | Article Number WS790-S-SH | Drawing Number ws790-s-sh-en | Rev A | Sheet 1 (1) | |