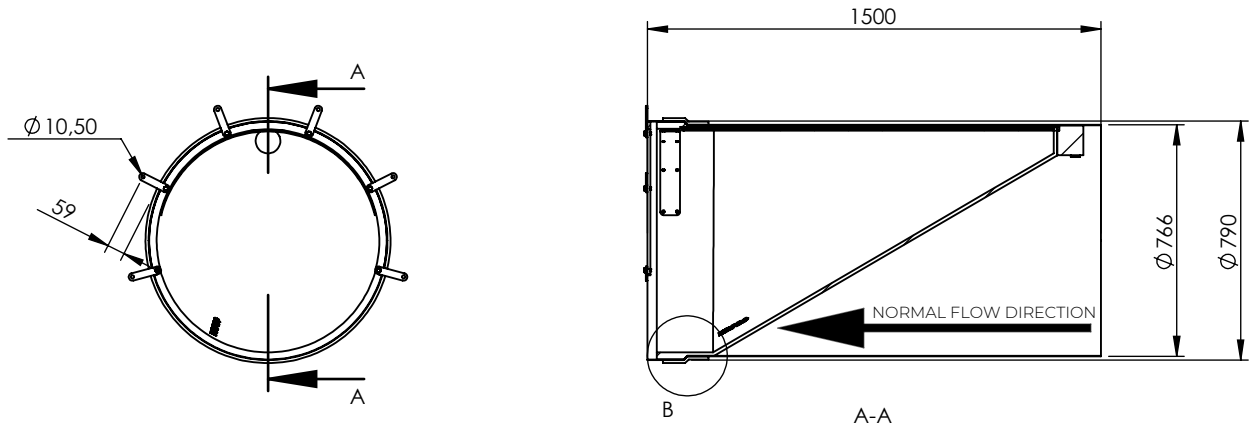
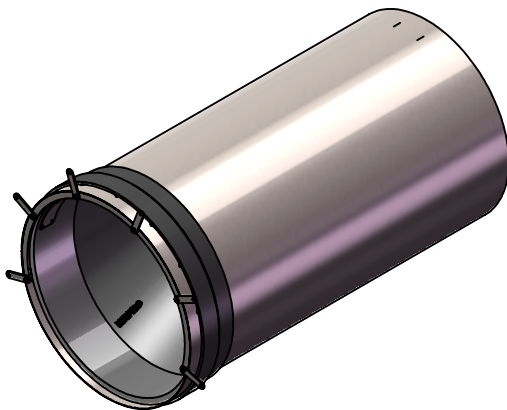
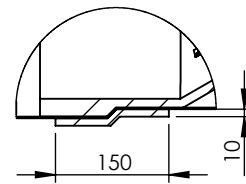


Rev	Note	CreatedBy	Appr.By	Appr.Date
A	Initial release	FG	PW	2020-11-30



DETAIL B  
SCALE 1 : 10



Designed By FG	Approved By PW	Created Date 2020-11-30	Units [mm]	General Tolerance ISO 13920A	Scale 1:25	
Material EN 1.4301 / EN 1.4404			Project		Comments	
Weight [kg] 93.90		Box Volume [m³] 0,95	Description WaStop DN800 One collar			
 www.wapro.com			Article Number WS790-S-OC	Drawing Number ws790-s-oc-en	Rev A	Sheet 1 (1)