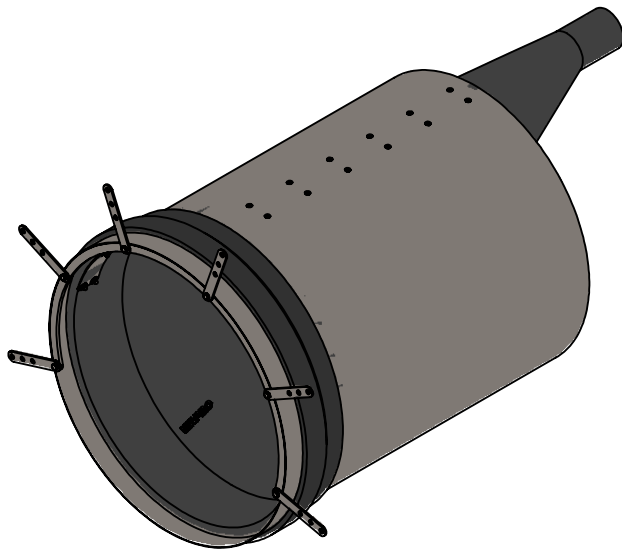
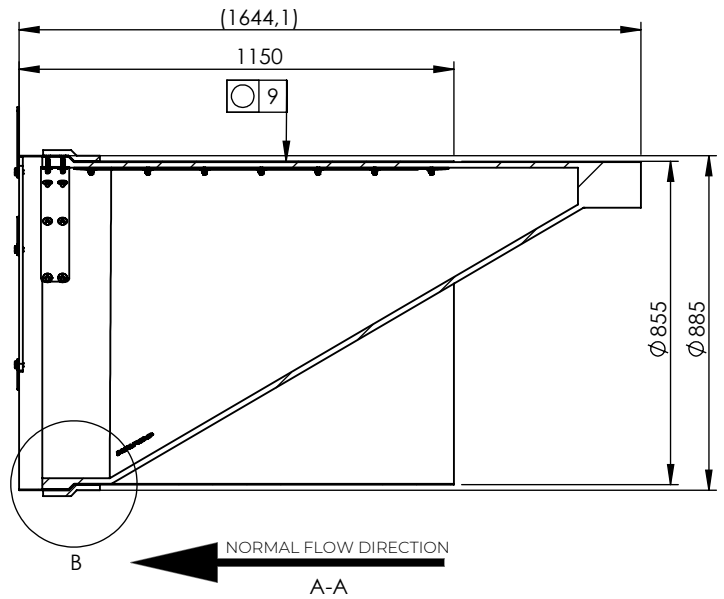
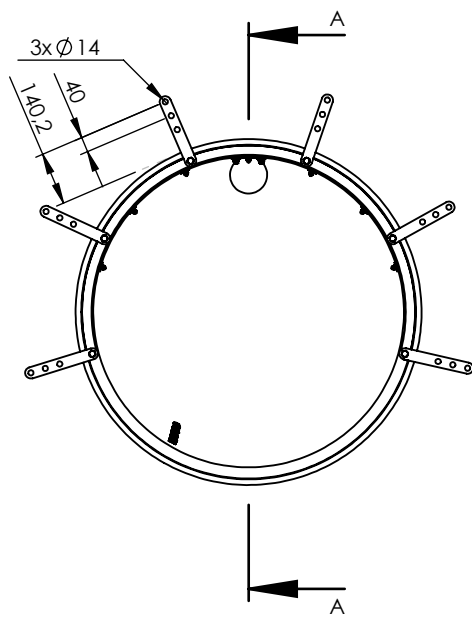
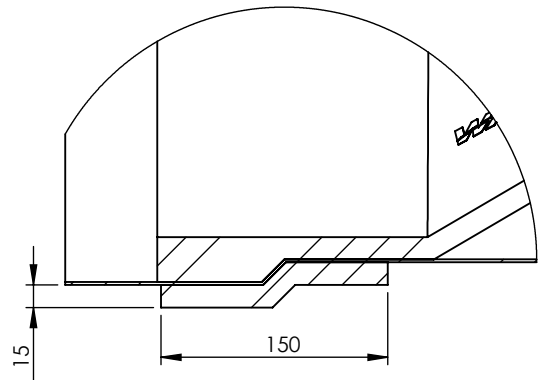


Rev	Note	CreatedBy	Appr.By	Appr.Date
A	Initial release	FG	AE	2019-12-02



DETAIL B
SCALE 1 : 5



© 2018 Wapro AB. This document is subject to copyrights owned by Wapro AB. Any amendments, republication, retransmission, and/or reproduction of all or any part of the document is expressly prohibited, unless the copyright owner of the material has expressly granted its prior written consent. All other rights are reserved.

Designed By FG	Approved By AE	Created Date 2019-11-29	Units [mm]	General Tolerance ISO 13920A	Scale 1:20	
Material AISI 316L / EN 1.4404		Box Volume [m³]	Project			
Weight [kg] 106.91		Description WaStop DN900				
 www.wapro.com		Short				
		Article Number WS885-S-SH	Drawing Number ws885-s-sh-en	Rev A	Sheet 1 (1)	