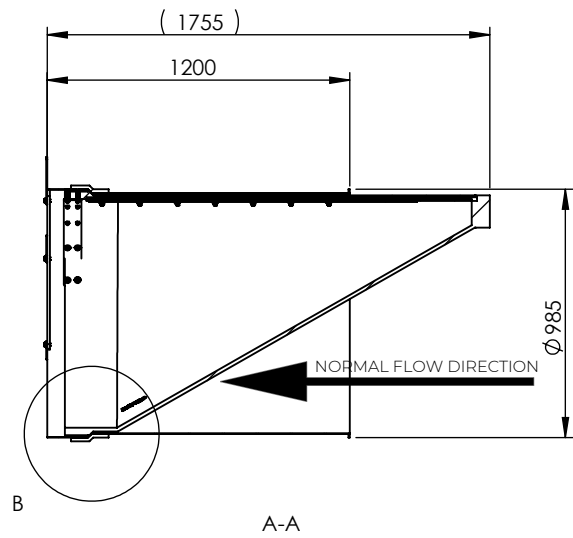
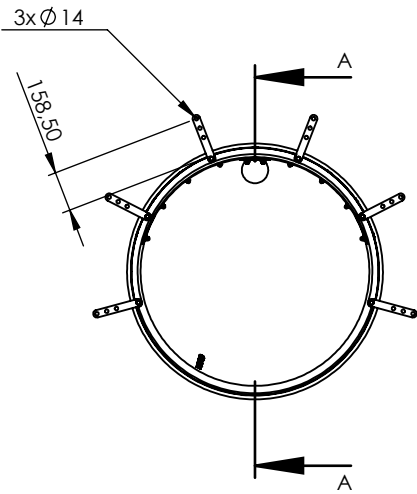
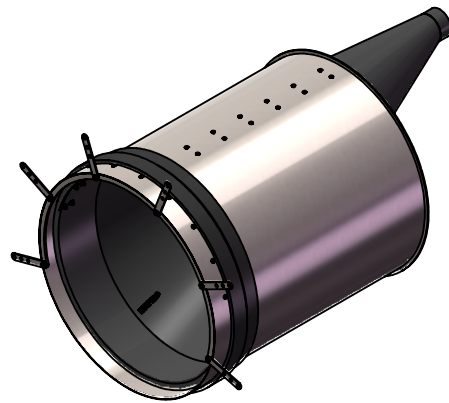
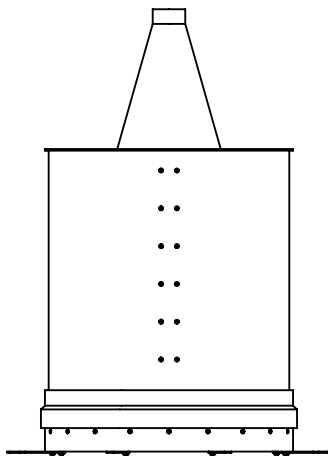
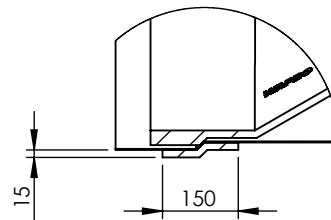


Rev	Note	CreatedBy	Appr.By	Appr.Date
A	Initial release	AE	PW	2020-03-04



DETAIL B
SCALE 1 : 15



© 2018 Wapro AB. This document is subject to copyrights owned by Wapro AB. Any amendments, republication, retransmission, and/or reproduction of all or any part of the document is expressly prohibited, unless the copyright owner of the material has expressly granted its prior written consent. All other rights are reserved.

Designed By AE	Approved By FG	Created Date 2020-03-04	Units [mm]	General Tolerance ISO 13920A	Scale 1:30	
Material EN 1.4301 / EN 1.4404			Project		Comments	
Weight [kg] 150,4		Box Volume [m³] 2,45	Description WaStop Short DN1000 Mounting tabs and sealing			
 www.wapro.com			Article Number ws985-s-sh	Drawing Number ws985-s-sh-en	Rev A	Sheet 1 (1)