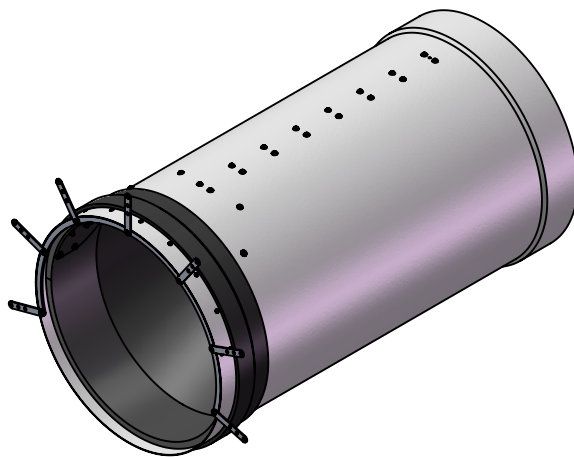
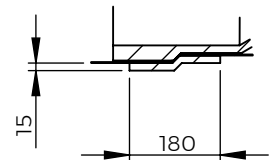


SECTION A-A
SCALE 1:30

B
1:15



© 2017 Wapro AB. This document is subject to copyrights owned by Wapro AB. Any amendments, republication, retransmission, and/or reproduction of all or any part of the document is expressly prohibited, unless the copyright owner of the material has expressly granted its prior written consent. All other rights are reserved.

Designed By AE	Approved By AE	Created Date 2017-11-02	Units [mm]	General Tolerance SS-ISO 2768-1 m	Scale 1:50	
Material EN 1.4301 / EN 1.4404			Comments		Project Number	
Weight [kg] 390		Box Volume [m ³] 3,2	Description WaStop DN1050			
 www.wapro.com			Gasket and mounting tabs			
			Article Number WS1050-S-FL	Rev 2018-04-19	Sheet 1 (1)	