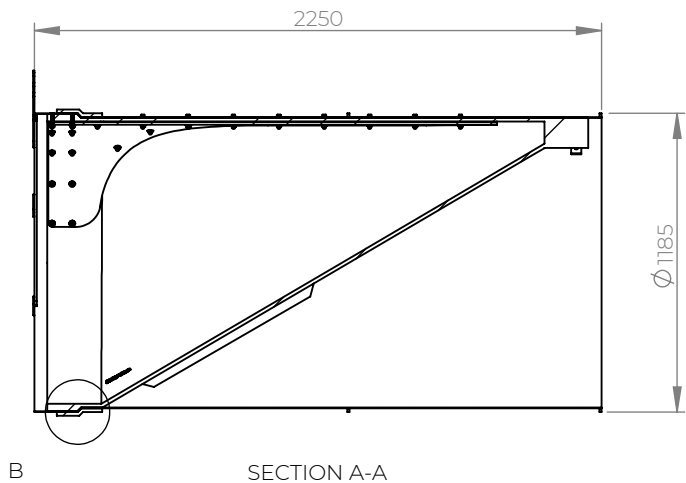
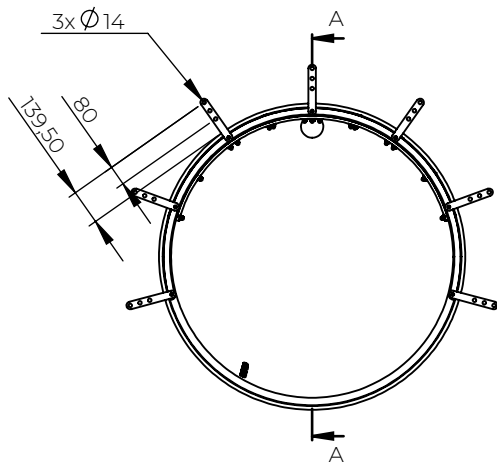
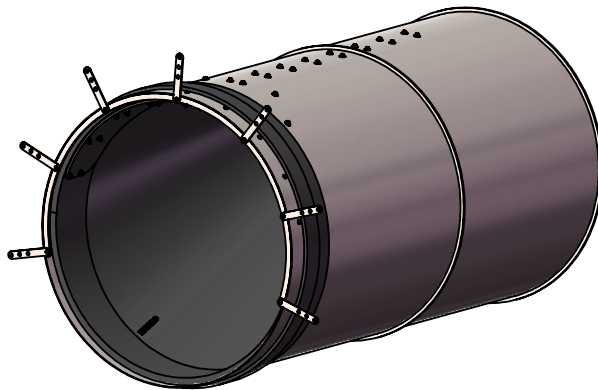
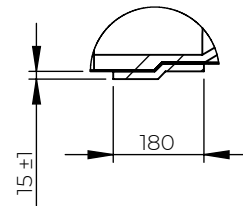


Rev	Note	CreatedBy	Appr.By	Appr.Date
A	Initial release	AE	FG	2020-01-15



DETAIL B
SCALE 1:15



Designed By AE	Approved By	Created Date 2019-05-15	Units [mm]	General Tolerance ISO 13920A	Scale 1:30	
Material EN 1.4301 / EN 1.4404			Project		Comments	
Weight [kg] 290	Box Volume [m³]		Description WaStop DN1200 Mounting tabs & Gasket			
 www.wapro.com			Article Number WS1185-S	Drawing Number ws1185-s-en	Rev A	Sheet 1 (1)