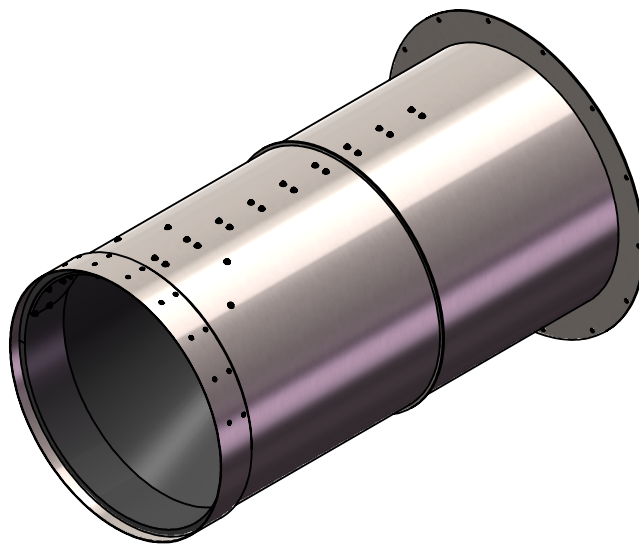
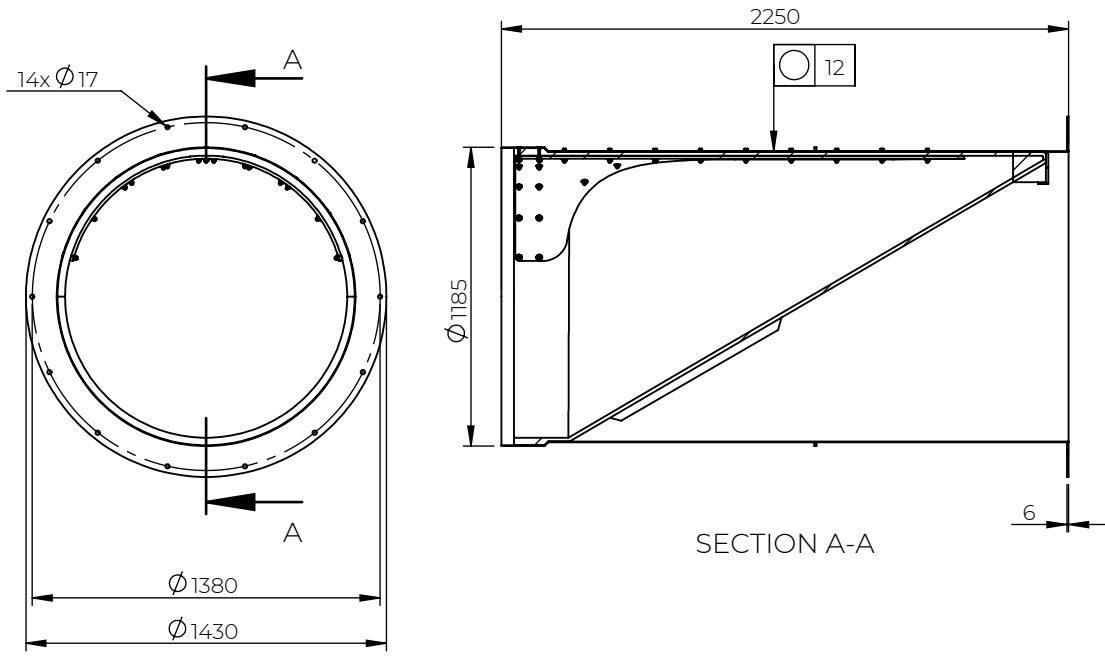


Rev	Note	CreatedBy	Appr.By	Appr.Date
A	Initial release		AE	2019-07-02



© 2018 Wapro AB. This document is subject to copyrights owned by Wapro AB. Any amendments, republication, retransmission, and/or reproduction of all or any part of the document is expressly prohibited, unless the copyright owner of the material has expressly granted its prior written consent. All other rights are reserved.

Designed By PW	Approved By	Created Date 2019-06-27	Units [mm]	General Tolerance ISO 13920A	Scale 1:30	
Material EN 1.4301 / EN 1.4404			Comments		Project	
Weight [kg] 390	Box Volume [m³] 3,2		Description WaStop DN1200 Flange inlet			
 www.wapro.com			Article Number WS1185-S-FL2	Drawing Number ws1185-s-fl2-en	Rev A	Sheet 1 (1)