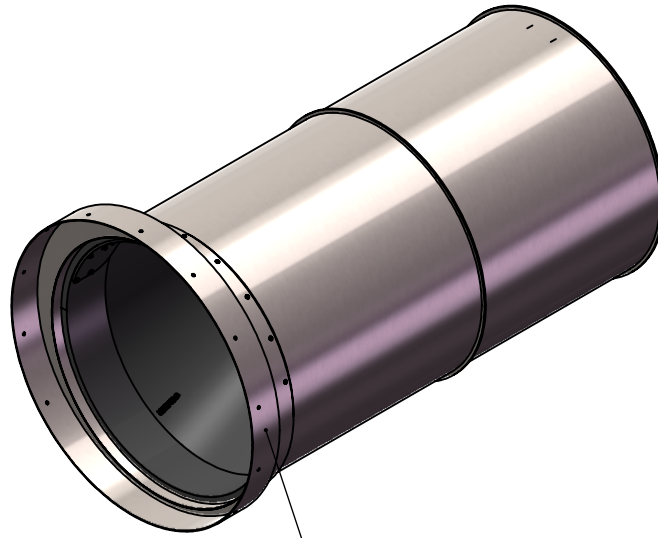
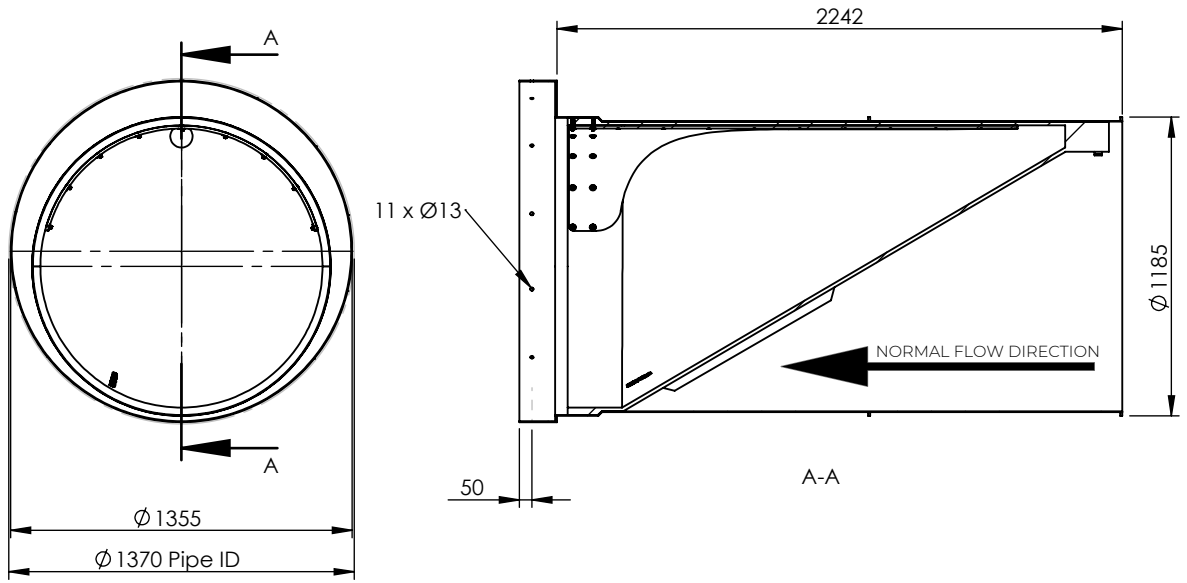


NOT FOR PRODUCTION

© 2021 Wapro AB. This document is subject to copyrights owned by Wapro AB. Any amendments, republication, retransmission, and/or reproduction of all or any part of the document is expressly prohibited, unless the copyright owner of the material has expressly granted its prior written consent. All other rights are reserved.

Rev	Note	CreatedBy	Appr.By	Appr.Date
A	Initial release	PW	FG	2021-01-22



To be sealed with
Sika Swell 2 or similar sealant

Designed By PW	Approved By FG	Created Date 2021-01-22	Units [mm]	General Tolerance ISO 13920A	Scale 1:30	
Material EN1.4301/EN1.4404			Project WS1185 exentrisk fläns med svep			Comments
Weight [kg] 408.63		Box Volume [m³]	Description WaStop DN1200 with extended eccentric collar			
 www.wapro.com			Pipe ID 1370			
			Article Number WS1185-SPEC	Drawing Number 039592	Rev A	Sheet 1 (1)