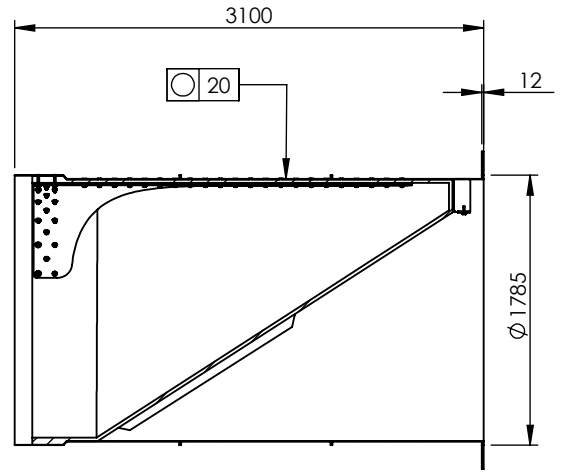
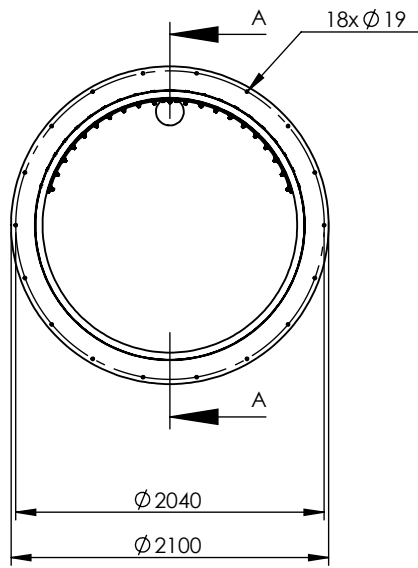
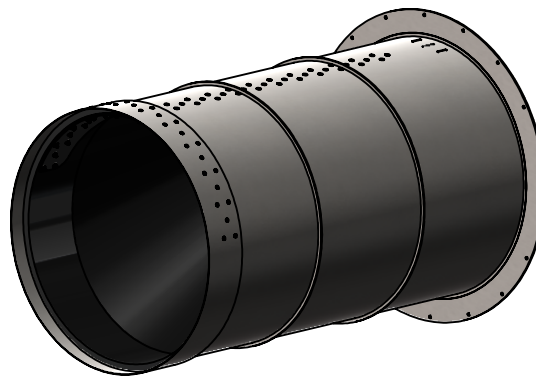


Rev	Note	CreatedBy	Appr.By	Appr.Date
A	Initial release		PW	2019-10-07



A-A



© 2018 Wapro AB. This document is subject to copyrights owned by Wapro AB. Any amendments, republication, retransmission, and/or reproduction of all or any part of the document is expressly prohibited, unless the copyright owner of the material has expressly granted its prior written consent. All other rights are reserved.

Designed By PM	Approved By PM	Created Date 2014-03-18	Units [mm]	General Tolerance ISO 13920A	Scale 1:50	
Material EN 1.4301 / EN 1.4404			Project		Comments	
Weight [kg] 920	Box Volume [m³] 13.9	Description WaStop DN1800 Flange Inlet				
 www.wapro.com		Article Number WS1785-S-FL2	Drawing Number ws1785-s-fl2-en	Rev 2019-10-07	Sheet (1)	