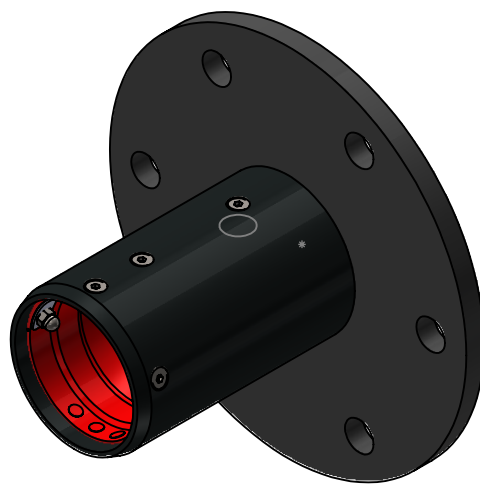
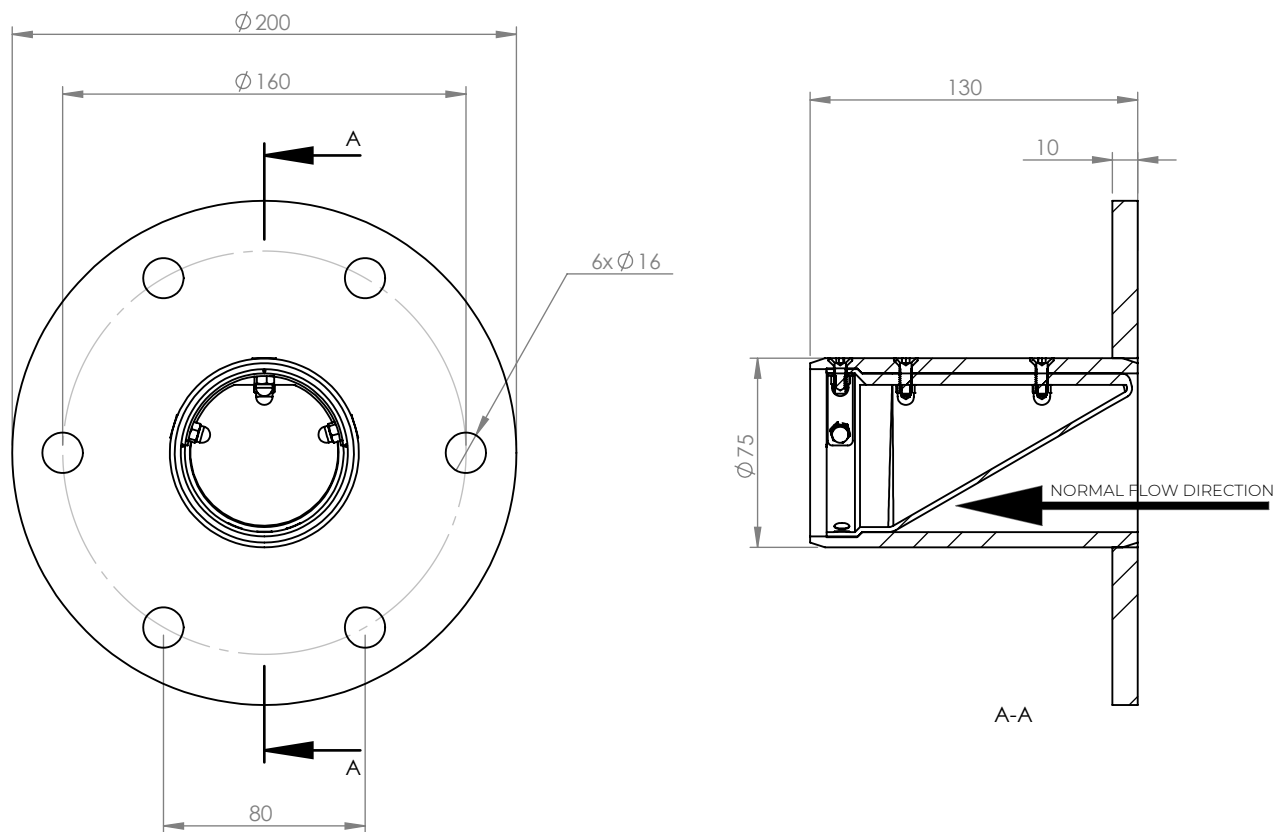


Rev	Note	CreatedBy	Appr.By	Appr.Date
A	Initial release	PW	FG	2020-11-30



© 2018 Wapro AB. This document is subject to copyrights owned by Wapro AB. Any amendments, republication, retransmission, and/or reproduction of all or any part of the document is expressly prohibited, unless the copyright owner of the material has expressly granted its prior written consent. All other rights are reserved.

Designed By FG	Approved By PW	Created Date 2020-02-26	Units [mm]	General Tolerance SS-ISO 2768-1 m	Scale 1:3	
Material PVC, MVQ			Project			
Weight [kg] 0.54	Box Volume [m³]		Description Wastop 75			
 www.wapro.com			Flange Inlet			
			Article Number WS75PVC-S-FL2	Drawing Number ws75pvc-s3-fl2-en	Rev A	Sheet 1 (1)