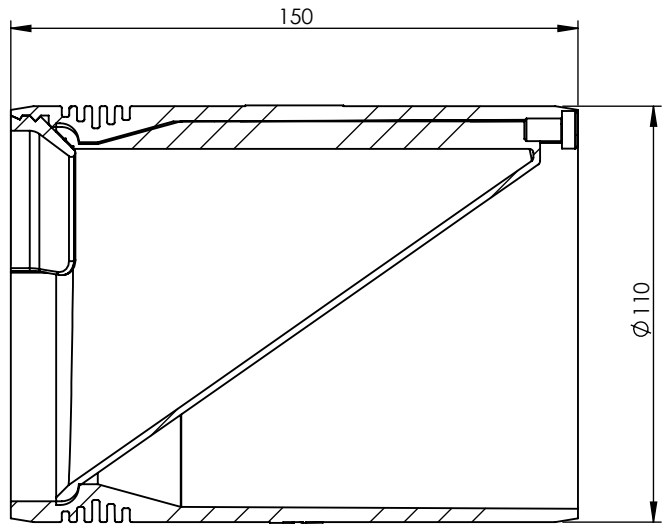
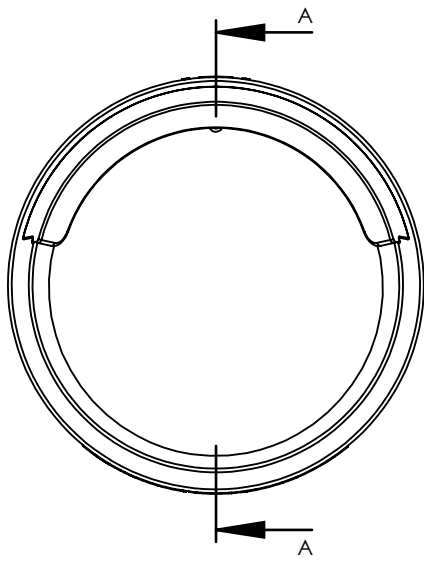
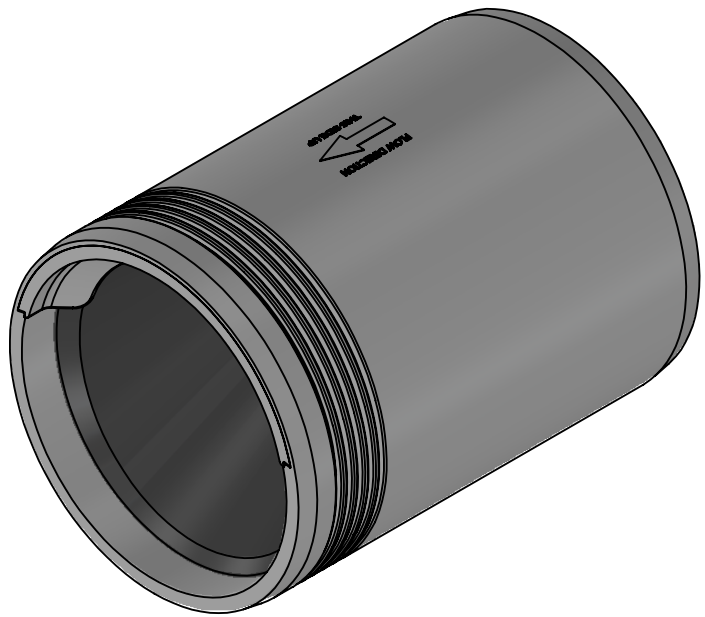
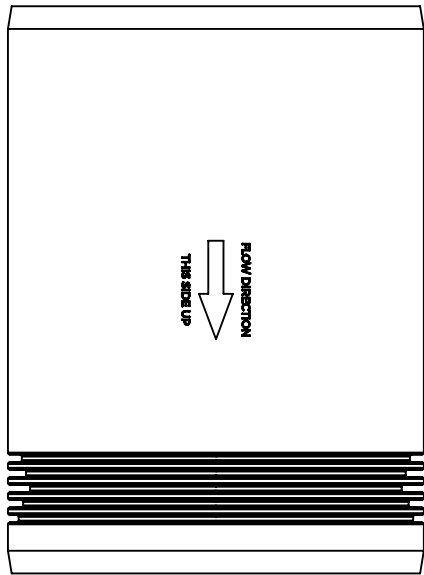



Rev	Note	CreatedBy	Appr.By	Appr.Date
A	Initial release	AE	AE	2018-12-20



A-A



© 2018 Wapro AB. This document is subject to copyrights owned by Wapro AB. Any amendments, republication, retransmission, and/or reproduction of all or any part of the document is expressly prohibited, unless the copyright owner of the material has expressly granted its prior written consent. All other rights are reserved.

Designed By PM	Approved By PM	Created Date 2018-01-07	Units [mm]	General Tolerance SS-ISO 2768-1 m	Scale 1:2	
Material PP, EPDM			Comments		Project	
Weight [kg] 0.25		Box Volume [m³]	Description Wastop RSD DN110			
 www.wapro.com			Article Number WS110-RSD	Drawing Number 003103	Rev A	Sheet 1 (1)