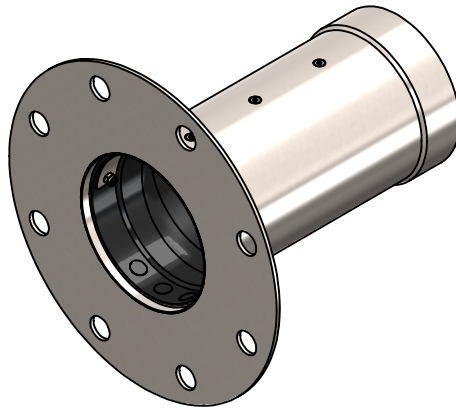
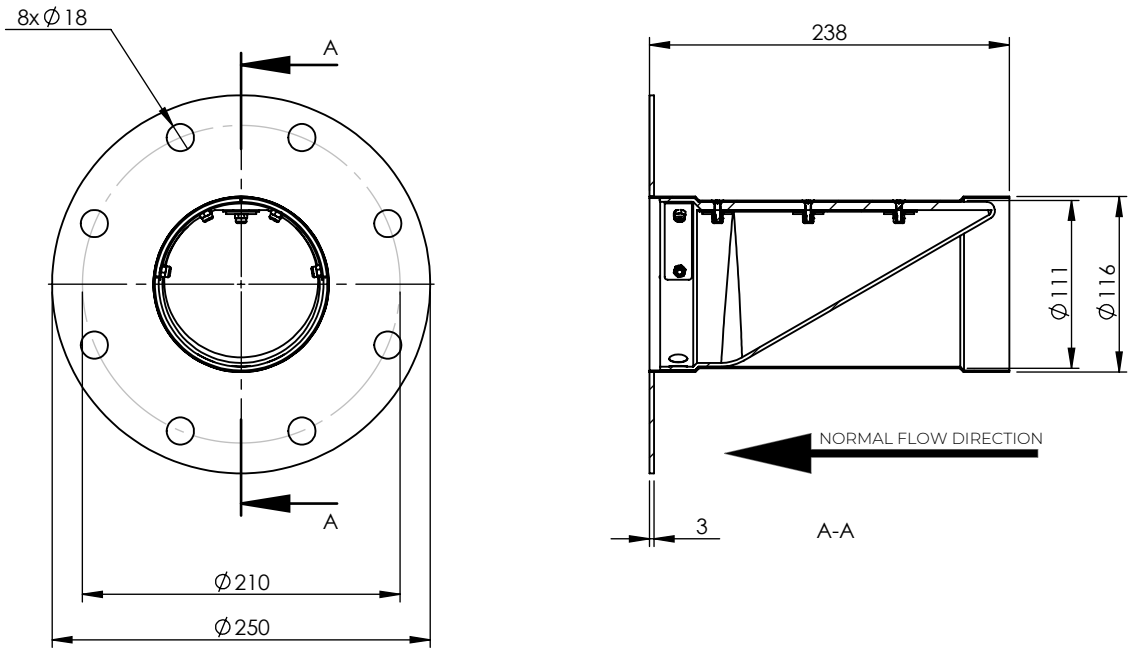


NOT FOR PRODUCTION

© 2018 Wapro AB. This document is subject to copyrights owned by Wapro AB. Any amendments, republication, retransmission, and/or reproduction of all or any part of the document is expressly prohibited, unless the copyright owner of the material has expressly granted its prior written consent. All other rights are reserved.

Rev	Note	CreatedBy	Appr.By	Appr.Date
A	Initial release	PW	FG	2020-04-28



Designed By PW	Approved By FG	Created Date 2020-04-28	Units [mm]	General Tolerance ISO 13920A	Scale 1:5	
Material EN 1.4404			Project			Comments
Weight [kg] 1.76		Box Volume [m³] 0,003	Description WaStop DN125 with flange PN10 hole pattern			
 www.wapro.com			Article Number WS116-S3-316-FL	Drawing Number 036987	Rev A	Sheet 1 (1)